



Blue Logic 17D Dual Port

High pressure hydraulic hot stab

The Blue Logic 17D dual port conforms to ISO 13628-8, but has larger internal fluid paths and integral sealing valves. The male has four check valves set inside the male body therefore will not dump the ROV compensator pressure. These minimise ROV oil leakage and water ingress, and prevent underpressure in the hoses, etc.

The female receptacle has two screw-in cartridges that do the same, but are normally 0.2bar in/out. The female can be mounted by U-bolts around the body or flange; mounted by four bolts using a top-mounting interface plate.

Applications

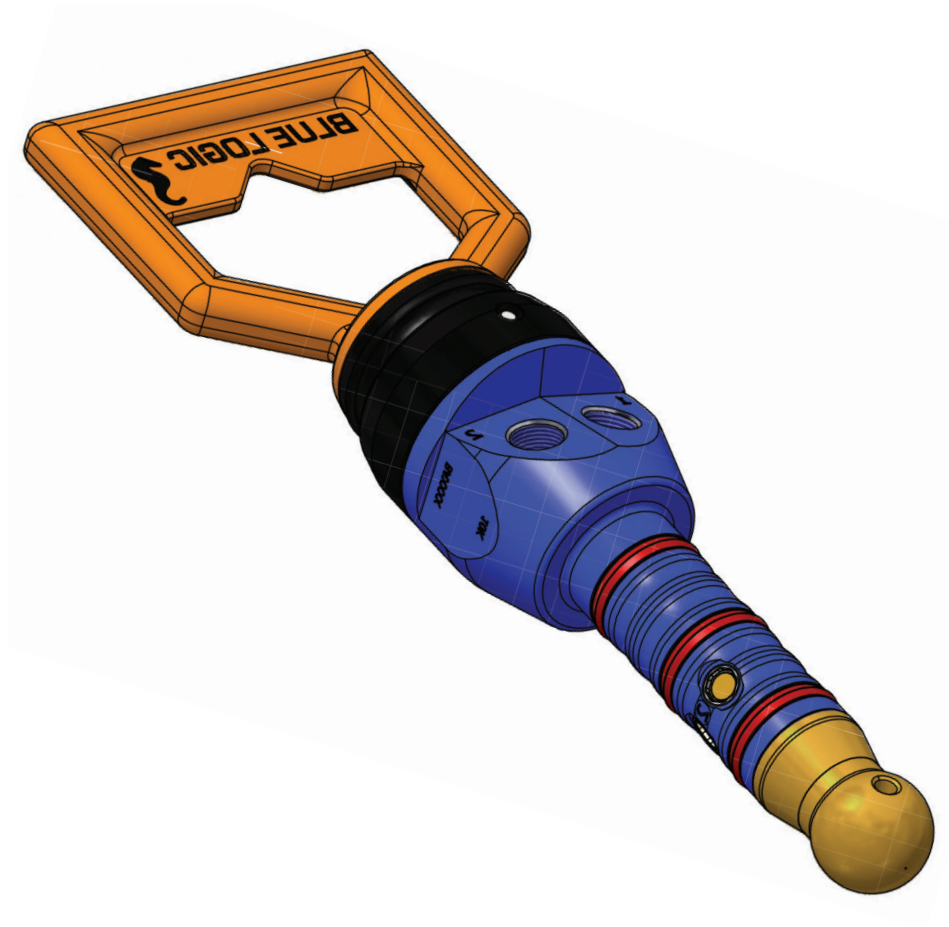
Subsea QD operations
Chemical & gas injection
Flooding & venting operations

Features

Industry standard
ISO 13628-8
Up to 30lpm / 7.9gpm
690bar / 10,000psi
Integral sealing valves
Pressure balanced

In the box

Blue Logic 17D dual port
Operational hoses
Operations and maintenance manual

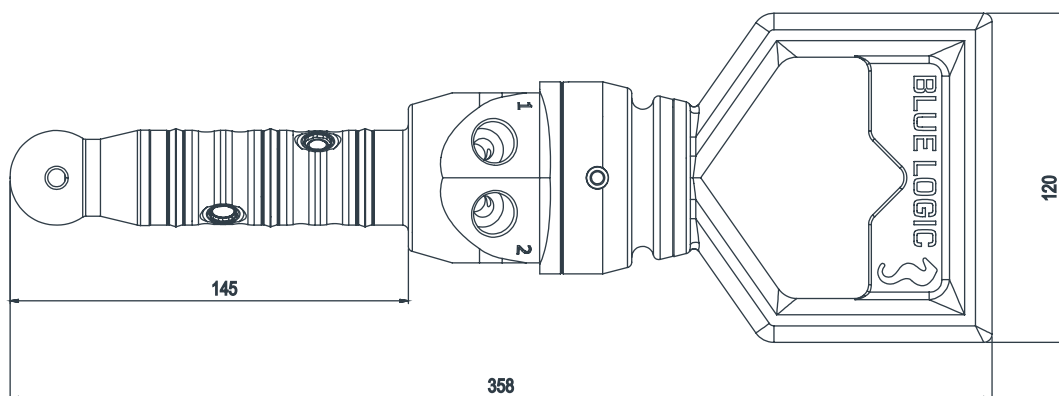
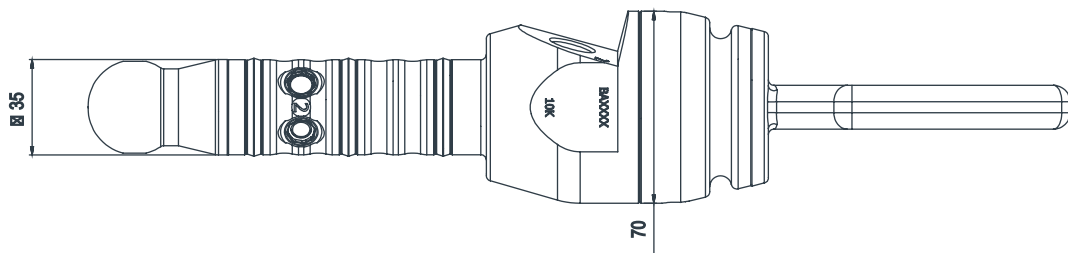


Blue Logic 17D Dual Port

Specifications



| | |
|---------------------------|----------------------|
| Working pressure | 690bar / 10,000psi |
| Flow rate | 30lpm / 7.92gpm |
| Hydraulic fluid and gases | 690bar / 10,000psi |
| Weight | 3.3kg / 7.25lbs |
| Port sizes | All ports 3/8" BSP |
| Flow path | 6mm / 0.23in |
| Materials | Stainless steel 165m |



Aberdeen
+44 (0)1224 771888

Abu Dhabi
+971 2 650 7710

Houston
+1 281 398 9533

Singapore
+65 6545 9350