



FMC Schilling Robotics Titan 4

World's premier servo-hydraulic remote manipulator

Thousands of FMC Schilling manipulator systems are in use worldwide every day. TITAN manipulators are the highest quality system on the market for the dexterity and strength needed to withstand the industry's harsh and repetitive needs day after day.

The TITAN 4 is widely regarded as the world's premier servo-hydraulic remote manipulator system. Since 1987, these systems have been the industry standard for dexterous manipulator systems used in subsea applications, and are extensively used on ultra-heavy work class ROVs.

Applications

Subsea grasp & lifting operations
ROV anchoring

Features

Acute precision control
Large operating envelope
High lift-to-weight ratio
Depth rating up to 7,000m /
22,965ft
Titanium construction

In the box

FMC Schilling Robotics Titan 4
Operational hoses
Operations and maintenance manual

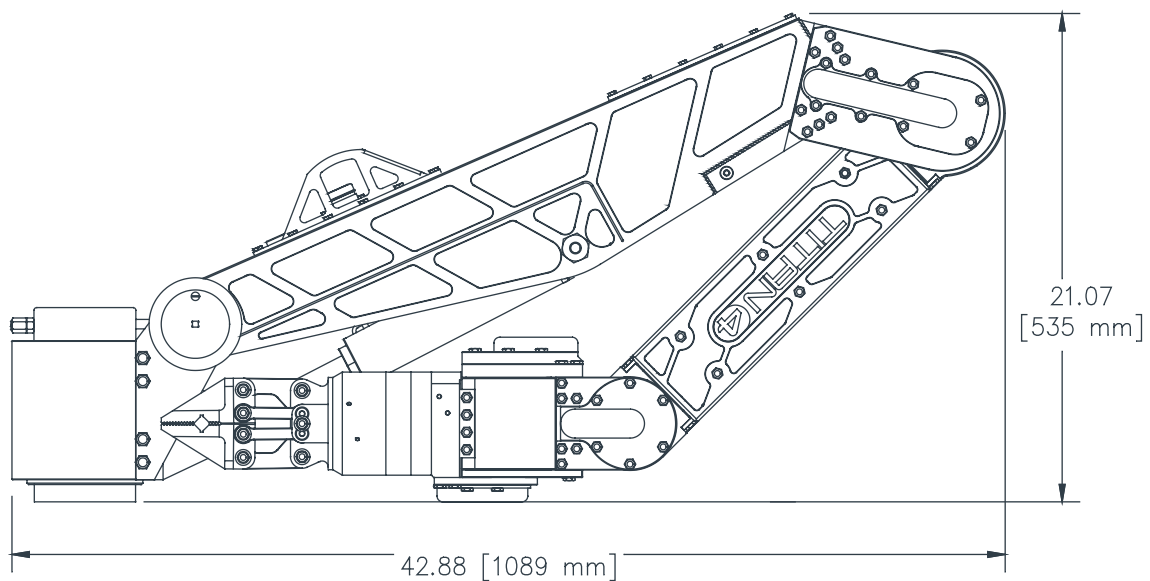


FMC Schilling Robotics Titan 4

Specifications



Reach	1.92m / 6.3ft
Type	Position controlled
Functions	7
Materials	Primarily titanium
Standard depth	4,000m / 13,123ft
Weight in air	100kg / 220.4lbs
Weight in water	78kg / 171.9lbs
Lift at full extension	122kg / 268.9lbs
Maximum lift, nominal	454kg / 1000lbs
Standard gripper opening	99mm / 3.9in
Grip force, nominal	4,092N
Wrist torque, nominal	170Nm
Wrist rotate, continuous	6-35rpm
Input power, controller	90-260VAC
Input power, arm	24 VDC
Power, controller	6w start, 3w run
Power, arm	6w start, 45w run
Telemetry	RS-232 or RS-422/485
Fluid	Mineral, glycol, or synthetic
Viscosity	10-200cSt
Available flow	5.7-19lpm / 1.5-5gpm
Max pressure	207bar / 3000psi
Max fluid temperature	54°C / 129°F
Fluid cleanliness	ISO 4406 14/11



Aberdeen
+44 (0)1224 771888

Abu Dhabi
+971 2 650 7710

Houston
+1 281 398 9533

Singapore
+65 6545 9350