



Class 1-4 Hand Operated Torque Tool

Ideal for manual valve operations

The hand operated torque tool confirms to the ISO 13628-8 fig 18 interface requirements, it is supplied with a class 4 socket. Extra sockets can be supplied on request. The tool is intended for operation on the surface to verify the interfaces on subsea equipment and to operate valves without the need for an ROV and a hydraulic supply.

The tool has a built in 5:1 gearbox to supply torques up to 2700Nm by hand. The tool is supplied with a torque wrench so torques can be accurately applied.

Applications

Class 1-4 valve operations

Features

ISO 13628-8 fig 18 (API 17D) class 1-4

Max torque 2700Nm / 2000ft lbs

Manually operated torque tool built in 5:1 gearbox

Integrated carrying loop

Can be configured for 17H interface

In the box

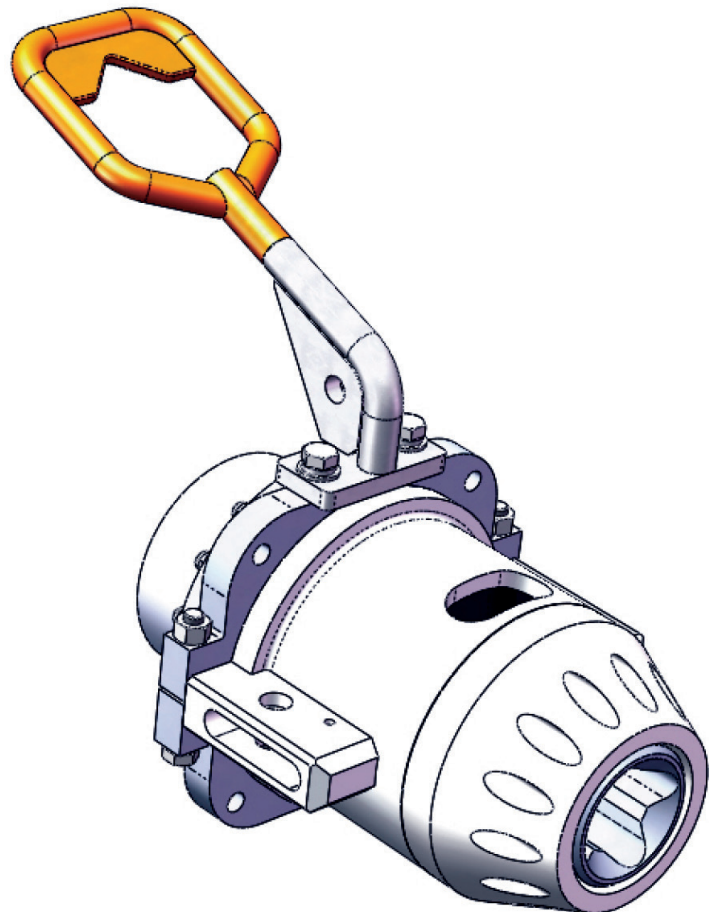
Class 1-4 hand operated torque tool

Gearbox assembly

Class 1-2, 3 and 4 sockets

$\frac{3}{4}$ " drive torque wrench

Operations and maintenance manual

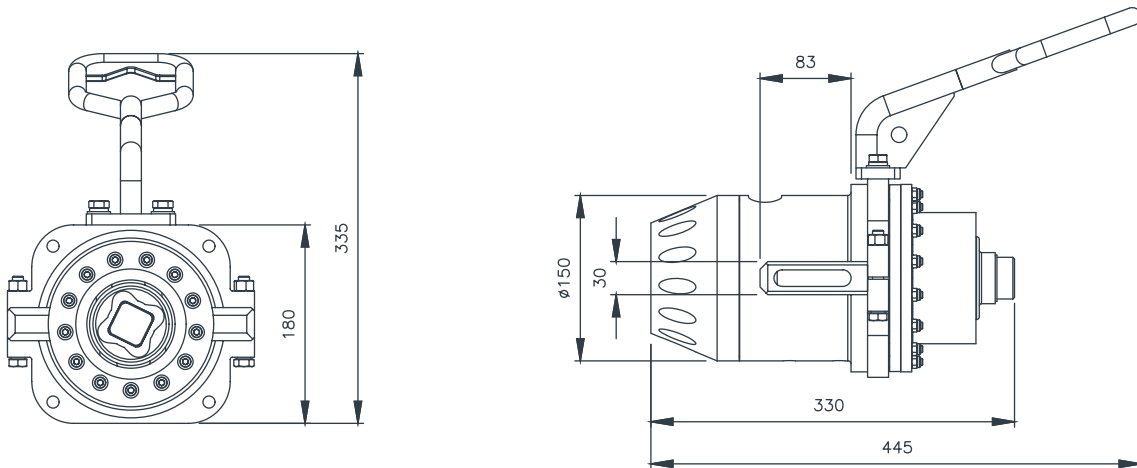


Class 1-4 Hand Operated Torque Tool

Specifications



Torque interface	ISO 13628-8 fig 18 class 1-4
Torque range	30-2700Nm / 22-2000ft lbs
Socket size	Class 1-2, 3 and 4
Gearbox ratio	5:1
Materials	Steel motor and gearbox, duplex socket, aluminium housing and acetal hose



Aberdeen
+44 (0)1224 771888

Abu Dhabi
+971 2 650 7710

Houston
+1 281 398 9533

Singapore
+65 6545 9350