



Upright FLOT

Flying lead installation and removal

The FLOT tool is designed to operate in conjunction with a torque tool and is used to orientate and guide flying leads into the stab plate connections. The FLOT tool is designed to take the PSS class 1-4 torque tool, but can easily accommodate similar tools from other manufacturers. A rotary actuator allows a pitch alignment of plus 60 or minus 90 degrees with a load of up to 250kg attached. The tool is also equipped with a roll alignment function giving a rotation of plus or minus 15 degrees.

The FLOT tool is compact and the tool mounting base is supplied with a selection of mounting holes for mounting within the forward structure of the ROV. The pitch and roll actuators can be controlled from the TTCS or ROV's spare directional control valves.

Applications

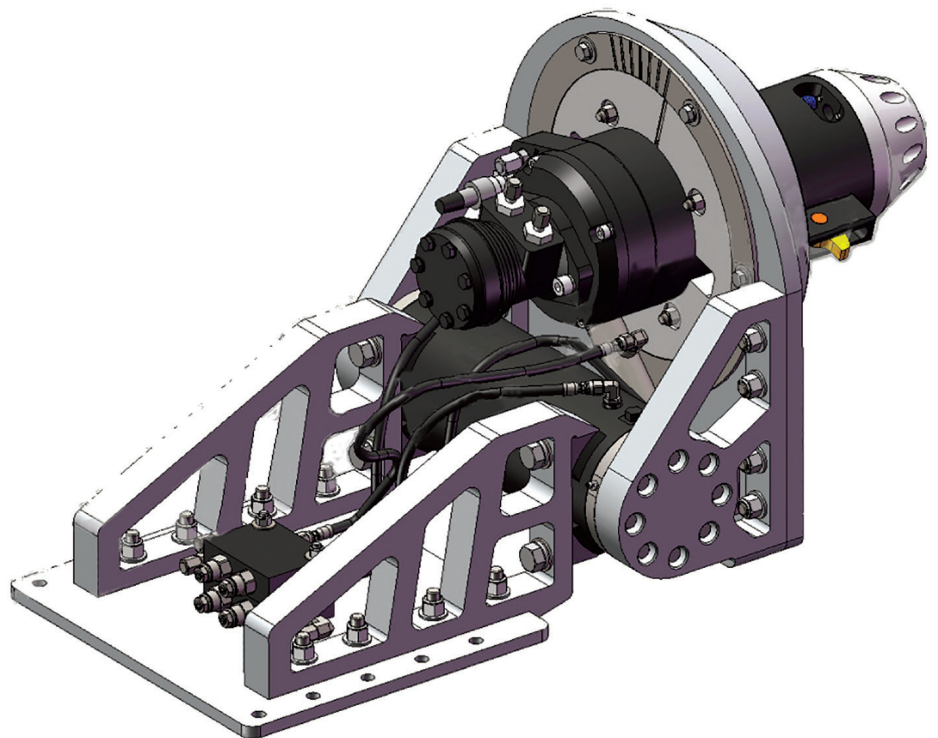
Flying lead operations
Class 1-4 torque tool operations

Features

+/- 15 deg roll angle
Plus 60 minus 90 deg pitch
Counter-balance valve on both actuators
250kg / 551.1lbs payload

In the box

Flying lead orientation tool
Adaptor to fit torque tool
Operational hoses
Operations and maintenance manual



Upright FLOT

Specifications

Pitch	+60, - 90 degrees
Rotation	+/- 15 degrees
Payload capacity	250kg / 551lbs mounted on torque tool, through full range of travel
Hydraulic control from ROV	Two off bi-directional solenoid control valves plus drain
Operating fluid	Hydraulic oil
Operating pressure	207bar / 3000psi
Hydraulic fittings	JIC or swagelok
Weight in air	77kg / 169lbs
Weight in water	57kg / 125lbs

