



Hydraulic Operated Ball Valve

Used for many ROV tooling operations

Hydraulically operated ball valve mounted on ROV friendly 316 stainless steel plate easily accommodated onto ROV, tooling skid or tooling assembly.

Applications

Back seal pressure testing
Shut off valve on separate circuits
High pressure dump valve
Depressurisation valve on separate circuits
Control of pressures on isolated circuits

Features

316 stainless steel plate
Available as single, dual and quad assemblies as standard
Bespoke options available
Wide range of valve sizes
690bar / 10,000psi valve

In the box

Hydraulically operated ball valve
Operational hoses
Operations and maintenance manual

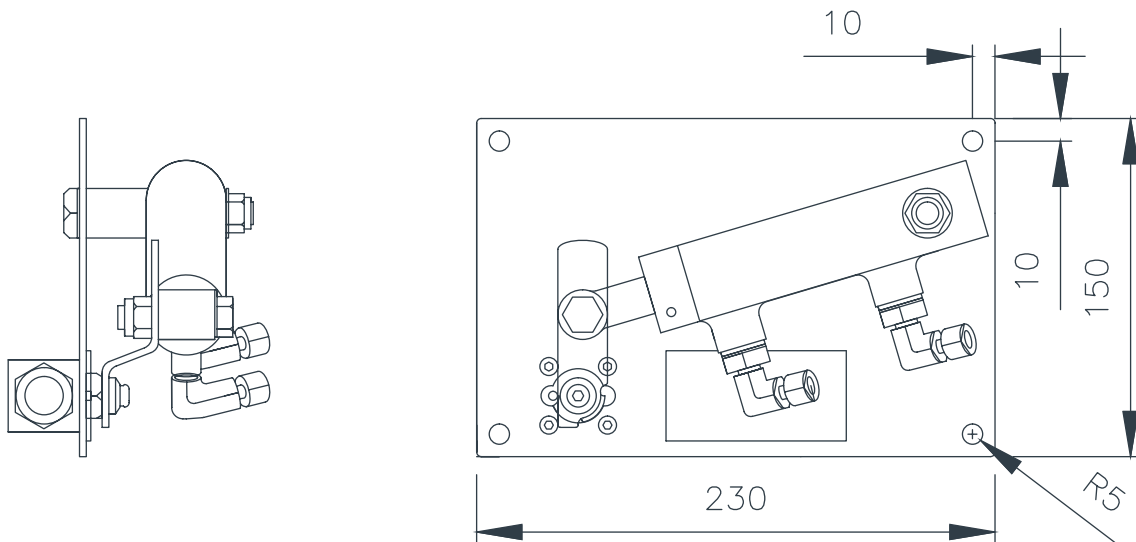


Hydraulic Operated Ball Valve

Specifications



Ball valve pressure rating	690bar / 10,000psi
Hydraulic cylinder max pressure	207bar / 3000psi
Hydraulic cylinder flow range	2-20lpm / 0.5-5.2gpm



Aberdeen
+44 (0)1224 771888

Abu Dhabi
+971 2 650 7710

Houston
+1 281 398 9533

Singapore
+65 6545 9350