



ISO 13628-8 Class 1-4 (API 17D) Subsea Subsea class 1-4 torque tool calibration

This unit has been developed to give subsea confirmation of torque tool calibration. It consists of a standard class 1-4 torque reaction bucket with a compact torque sensor. To change shafts only one bolt has to be undone.

Torque is displayed on separate universal subsea display unit. The display contains a power on indicator (green LED) and battery low indicator (red LED). The unit can operate continuously for 30 hours, but if no activity is detected after 10 minutes the unit will go into 'sleep' mode and the display will power down, sleep mode can be maintained for up to eight days. The display will 'wake up' as soon as there is a change in signal.

Applications

Subsea torque tool calibration

Features

ISO 13628-8 fig 18 (API 17D) class 1-4

Max torque 2700Nm / 2000ft lbs

4000m / 13,123ft rated

Interchangeable shafts

Self contained unit

Rechargeable battery or ROV power

In the box

ISO 13628-8 class 1-4 (API 17D)

Dual Line USD

Battery pack

Subsea verification unit

Battery charger

Connection cables

PC calibration software

Class 1-2 shaft

Class 3 shaft

Class 4 shaft

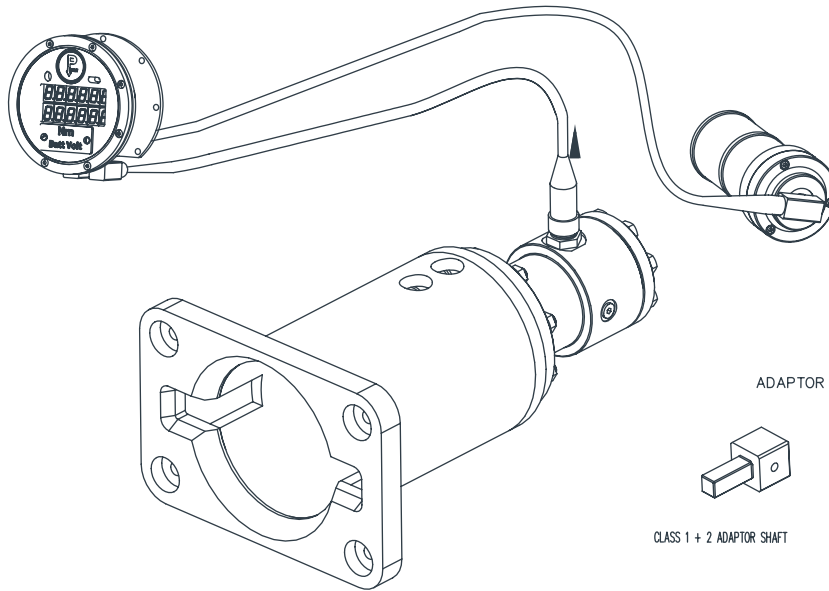
Operations and maintenance manual



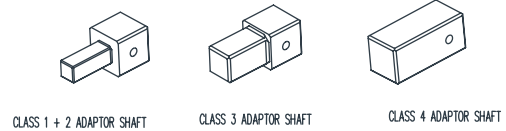
ISO 13628-8 Class 1-4 (API 17D) Subsea Specifications



Torque Interface	ISO 13628-8 fig 18 class 1-4
Maximum torque	2700Nm / 2000ft lbs
Battery life	30 hours permanently on 200 hours in sleep mode (sleep mode auto on)
Materials	Steel shaft, aluminium housing
Weight in air	22kg / 48.5lbs
Weight in water	18kg / 39.6lbs



ADAPTOR SHAFTS INCLUDED WITH SYSTEM



Aberdeen
+44 (0)1224 771888

Abu Dhabi
+971 2 650 7710

Houston
+1 281 398 9533

Singapore
+65 6545 9350