



Low Pressure Jetting Unit

Low pressure, high flow water jetting system

Designed for use when our high pressure jetting system offers too much power for the application, the low pressure system is as reliable, durable and simple to use providing a constant water jet stream at a maximum of 435lpm.

Mounted on an ROV friendly stainless steel plate this unit is shipped ready for immediate integration and operation.

Applications

Water jetting operations
Suction pump operations

Features

435lpm / 115gpm output
Simple and reliable jetting solution
Range of jetting nozzles available

In the box

Low pressure jetting system
ROV jetting handle
Operational hoses
Operations and maintenance manual

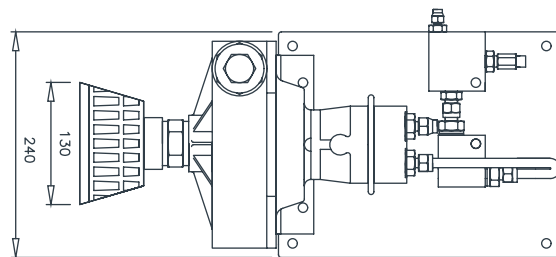
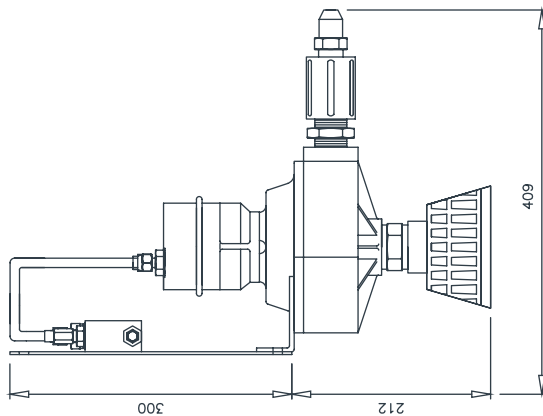


Low Pressure Jetting Unit

Specifications



Hydraulic input pressure	150bar / 2175psi
Hydraulic input flow	27lpm / 7.1gpm
Maximum output pressure	6.4bar / 92.8psi
Maximum output flow	435lpm / 115gpm



Aberdeen
+44 (0)1224 771888

Abu Dhabi
+971 2 650 7710

Houston
+1 281 398 9533

Singapore
+65 6545 9350