



ROV Inspection Camera

4000m depth rated subsea inspection camera

The ROV camera is used for inspection of difficult locations. The camera is mounted in plastic outer casing to prevent damage to seal hubs. A colour camera with local ring LED light source is mounted in a plastic housing with a fish tail style handle for manipulation by the ROV. The camera is supplied with three joints and two lengths of camera tube to suit the specific application.

Applications

Subsea inspection operations

Features

Range of configurations available
Fish tail handle
High resolution colour 650 TVL
10bit digital processing
With 6 integral high intensity LEDs
54° diagonal angle of view in water
4000m / 13,123ft depth rated
titanium housing

In the box

Camera in mounting
ROV handle
3m / 9.8ft cable
Extension tube
Operations and maintenance manual

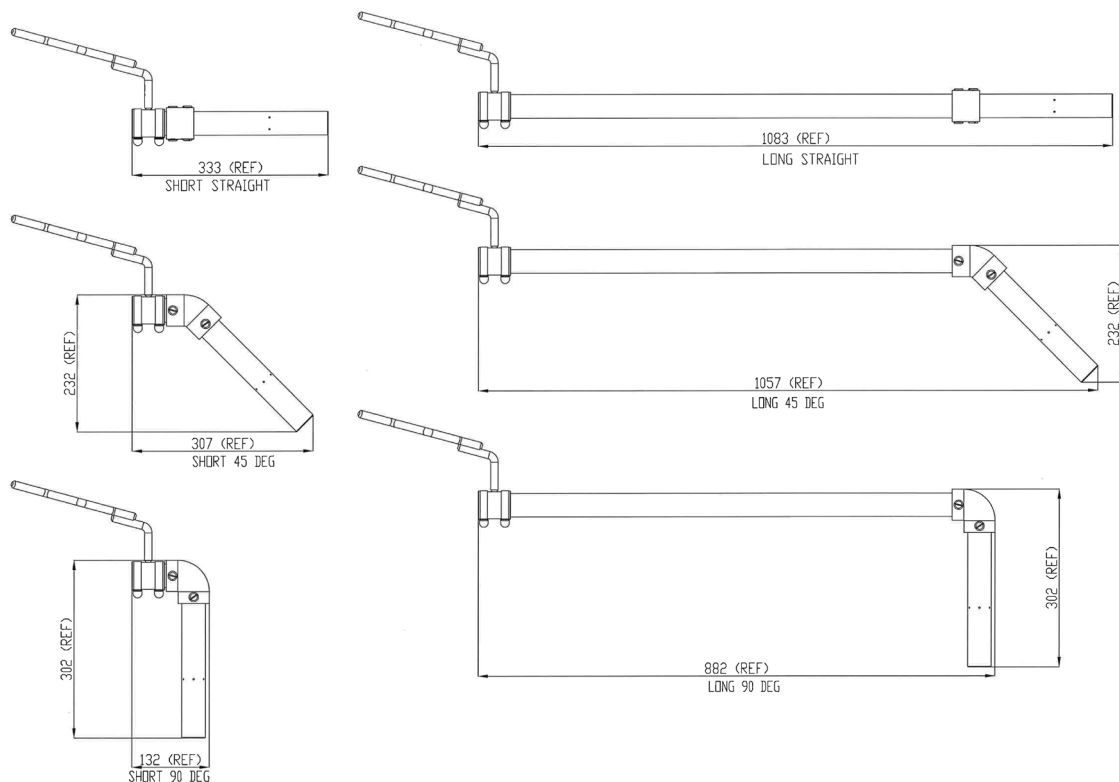


ROV Inspection Camera

Specifications



Horizontal resolution	470 TV lines - PAL
Scanning	625 line/0Hz - PAL
Video output	Composite, 1.0V peak to peak into 75ohm
Focus control	Fixed, 75mm / 3in to infinity
Field of view in water	54° diagonal
Power input	11-30VDC, 310 mA (max)
Electrical connector	Sea-Conn BH-4-MP
Depth rating	4000m / 13,123ft
Cable	4m / 13.1ft SeaConn connecting cable
Camera material	Titanium body



Aberdeen
+44 (0)1224 771888

Abu Dhabi
+971 2 650 7710

Houston
+1 281 398 9533

Singapore
+65 6545 9350