



## TA19 Hydraulic Cable Cutter

### Light weight cable cutter

The cable cutter is designed to sever subsea umbilicals including armouring, up to 100mm in diameter. The cable is trapped by an anvil rod and then cut by a blade. The anvil and blade are driven hydraulically in both directions.

The cable cutter is fitted with a hydraulic connection to the host ROV for operation. An optional 'Emergency' disconnect mechanism can be supplied which will release it from the host ROV in case there is a loss of power.

#### Applications

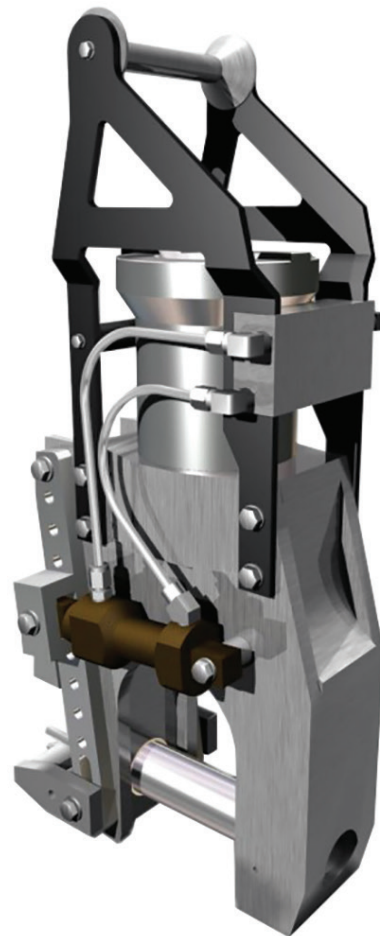
Submarine cable cutting  
Umbilical cutting  
Riser cutting

#### Features

Cuts cables up to Ø100mm / Ø4in  
Industry standard tool  
Lightweight  
ROV deployed

#### In the box

HCV100 cutter  
ROV handle  
Operational hoses  
Operations and maintenance manual

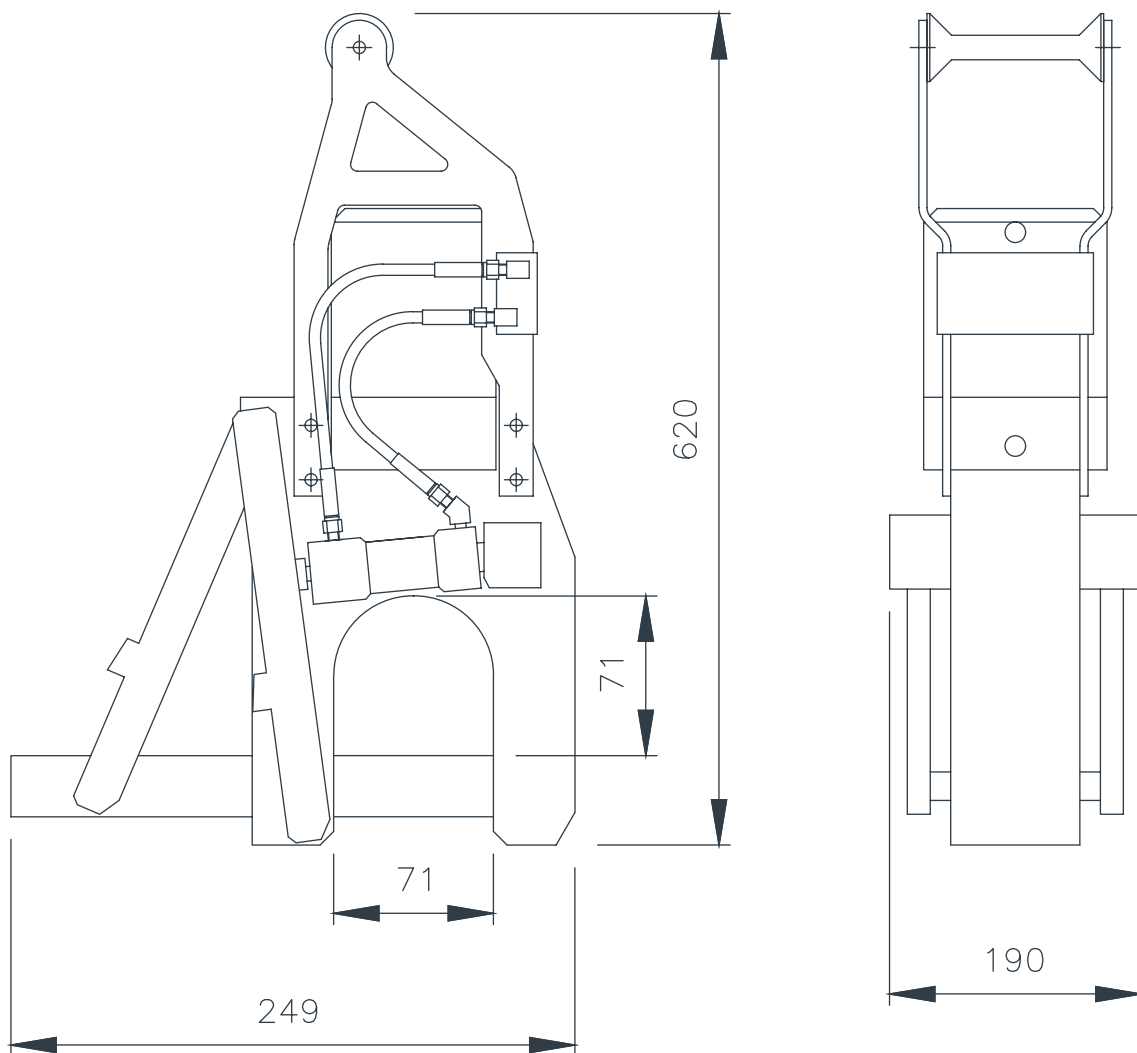


# TA19 Hydraulic Cable Cutter

## Specifications



Cable diameter	100mm / 4in maximum
Cable type	Armoured or lightweight
Maximum hydraulic pressure	640bar / 9280psi-main cut (Requires pressure intensifier)
Hydraulic fluid	Mineral oil
Weight In air	30kg / 66lbs
Weight In water	23kg / 50lbs



**Aberdeen**  
+44 (0)1224 771888

**Abu Dhabi**  
+971 2 650 7710

**Houston**  
+1 281 398 9533

**Singapore**  
+65 6545 9350