



Torque Tool Control System

Multi-purpose intelligent valve pack

The torque tool control system allows the user, from the surface, to adjust the torque and speed. This system is particularly suitable for deepwater operations where torque required for a particular operation may be uncertain, or has multiple values for different operations on the same dive. The actual torque and speed is user controlled and measured at all times and recorded as a signature of the subsea operation for future reference.

The controller can be used with any torque tool supplied by Ashtead Technology. The system can also be used as a pressure / flow controller for tools not equipped with feedback sensors.

Applications

Torque tool control operations
High-flow manifold control
FLOT operations

Features

1 off bi-directional pressure & flow control output
3 off bi-directional output
Strain gauge and turns count input
4000m / 13,123ft depth rated
RS232 or RS485 options available
External pressure sensor

In the box

TTCS hydraulic manifold
Panasonic Toughbook control PC
Interconnect cables
In-line filter
Operational hoses
Operations and maintenance manual

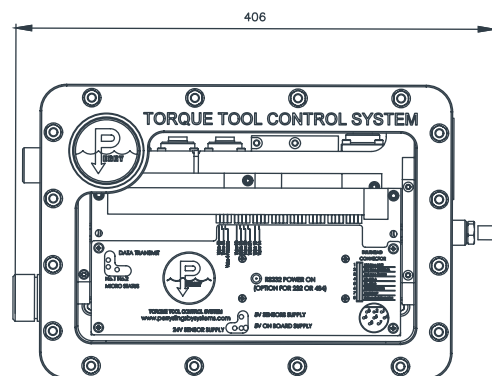
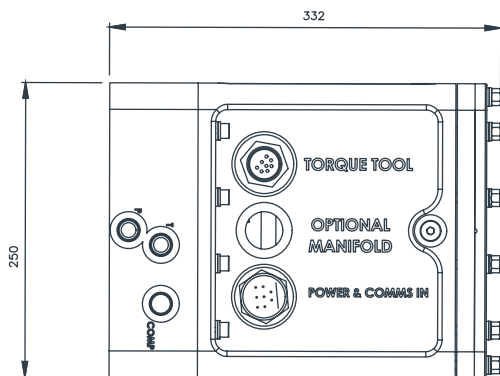


Torque Tool Control System

Specifications



Outputs	3 off NG3 mini 1 off proportional pressure & flow
Pressure sensor	One on proportional pressure line
Electrical inputs	Strain gauge Turns counter
Protection	Internal ground fault detection External pressure relief valve
Hydraulic input	20lpm / 5.2gpm at 207bar / 3000psi
Hydraulic output	8lpm / 2.1gpm at 200bar / 2900psi (per station)
Electrical supply	110VAC, 2A maximum
Weight in air	18kg / 39.6lbs
Weight in water	14kg / 30.8lbs



Aberdeen
+44 (0)1224 771888

Abu Dhabi
+971 2 650 7710

Houston
+1 281 398 9533

Singapore
+65 6545 9350