



Universal Subsea Display (USD)

Display electrical signals subsea

The Universal Subsea Display (USD), displays information from a wide range of sensor types. It is viewed using ROV cameras or directly by divers. The USD is housed in a robust anodised aluminium alloy housing with an integrated compensator. The unit is available with a two line display (6 digits per row) or a single line (4 digits and a minus sign). The two line display can display information from two separate inputs.

The USD readily interfaces to equipment through two subsea connectors. The first connects to a battery pack or a vehicle / tooling package with both power and communication. The second connects to the equipment to be monitored providing the interfaces for sensing and the supplies for powering the equipment sensors.

The USD uses ultra-efficient LED types, a very low power processor and sophisticated power switching regulators which, together, mean it can operate from a wide DC voltage input range, requiring very low current and equally able to operate from ROV supply or from battery. In addition, it has a software configurable sleep mode with option to wake up on sensor activity or from the light sensor on the front face. The unit can be configured for a multitude of applications.

Applications

Torque tool feedback
Pressure transducer feedback
Flow counter

Features

Power input range 3.5v-35v
User-friendly configuration software
Rugged construction
3000m / 9842ft depth rated
External battery
Multiple functions
Up to 240hrs standby
Up to 48hrs of continuous operations

In the box

Universal subsea display (USD)
Battery pack
Battery charger
Programming cable
Programming software
Battery pack to USB cable
USD to torque tool cable
USD to ROV flying lead (power)
Function labels
Operations and maintenance manual

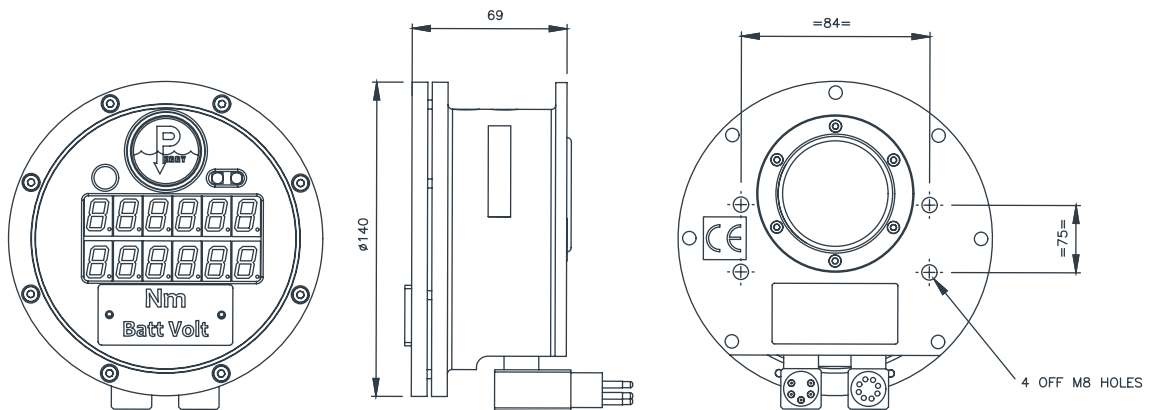


Universal Subsea Display (USD)

Specifications



Depth rating	3000m / 9842ft
Available sensor inputs	Strain gauge bridge (full Wheatstone)
	0-5V & 0-10V analogue voltage
	4-20mA analogue current
	PNP or NPN type contact / proximity
	Contact closure - reed switch / digital
Sensor supplies	1 off 5V to 250mA
	1 off 12V to 500mA
Sensor supply protection	Current limited & short circuit protected
Serial out	RS232 or RS485 (software selectable)
Input voltage	3.5 - 35V DC (reverse polarity protected)



Aberdeen
+44 (0)1224 771888

Abu Dhabi
+971 2 650 7710

Houston
+1 281 398 9533

Singapore
+65 6545 9350