



## XLX ISO Docking Beam

Ideal for docking ROV to subsea structures

The docking beam is bolted to the front of an XLX vehicle and is used to dock onto subsea structures. The beam is supplied complete with two ISO13628-8:2002 fig 7 docking latches. The beam includes two anodes and all hoses to connect to an aux function on the ROV.

### Applications

Subsea ROV operations

### Features

Aluminium construction

Two off ISO 13628-8 docking latches

Weight in air 25kg / 55.1lbs

210bar / 3045psi working pressure

### In the box

XLX ISO docking beam

2 ISO docking latches

Operational hoses

Operations and maintenance manual

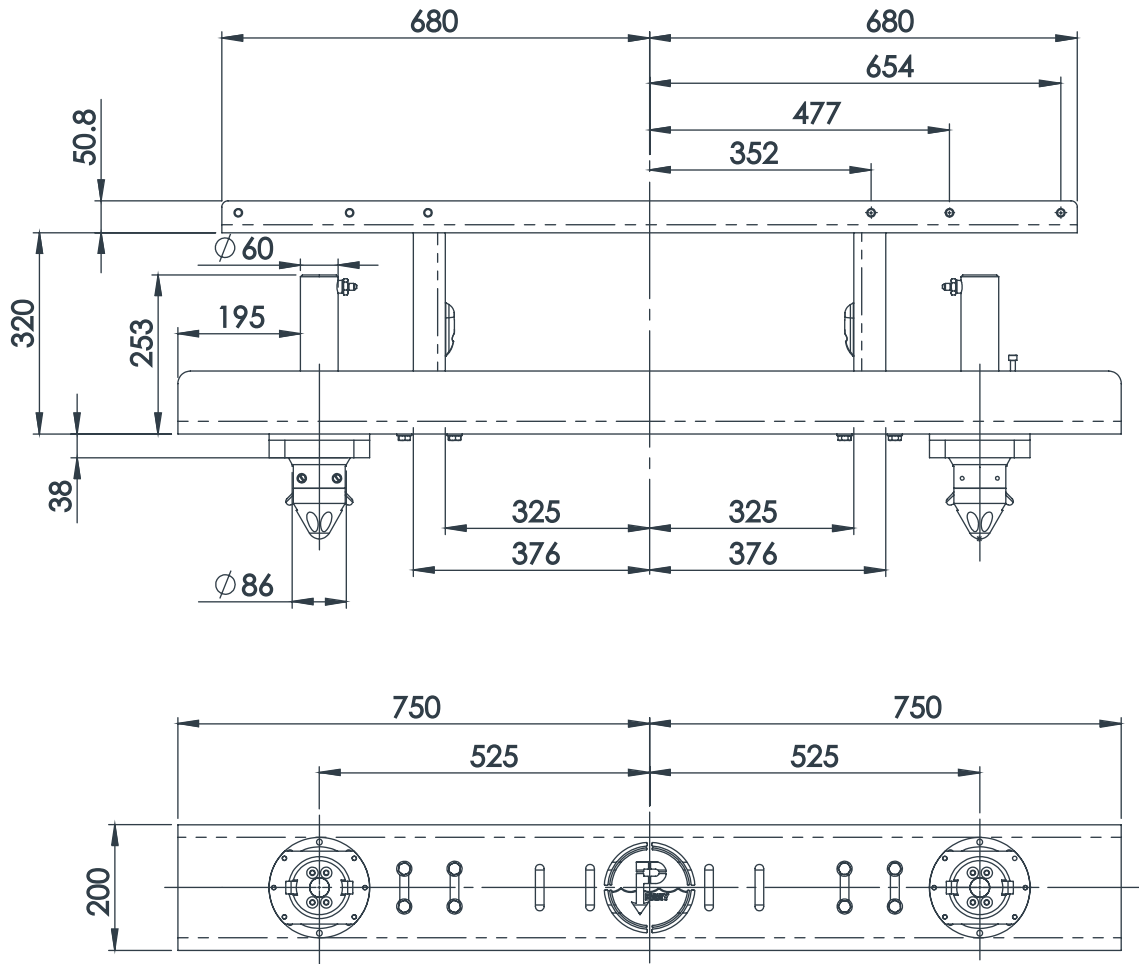


# XLX ISO Docking Beam

## Specifications



Interface	ISO 13628-8 fig 7
Hydraulic input pressure	210bar / 3045psi
Hydraulic flow range	2-10lpm / 0.5-2.6gpm
Depth rating	3000m / 9842ft
Weight in air	25kg / 55.1lbs
Materials	Aluminium, stainless steel, acetal



**Aberdeen**  
+44 (0)1224 771888

**Abu Dhabi**  
+971 2 650 7710

**Houston**  
+1 281 398 9533

**Singapore**  
+65 6545 9350