



## IMAGENEX MODEL 881A DIGITAL MULTI-FREQUENCY IMAGING SONAR

### APPLICATIONS:

- ROV, AUV, & UUV
- Offshore Oil & Gas
- Sunken Timber Recovery
- Diving Support
- Surveying
- Search & Recovery
- Inspection
- Underwater Archaeology
- Scientific Research

### FEATURES:

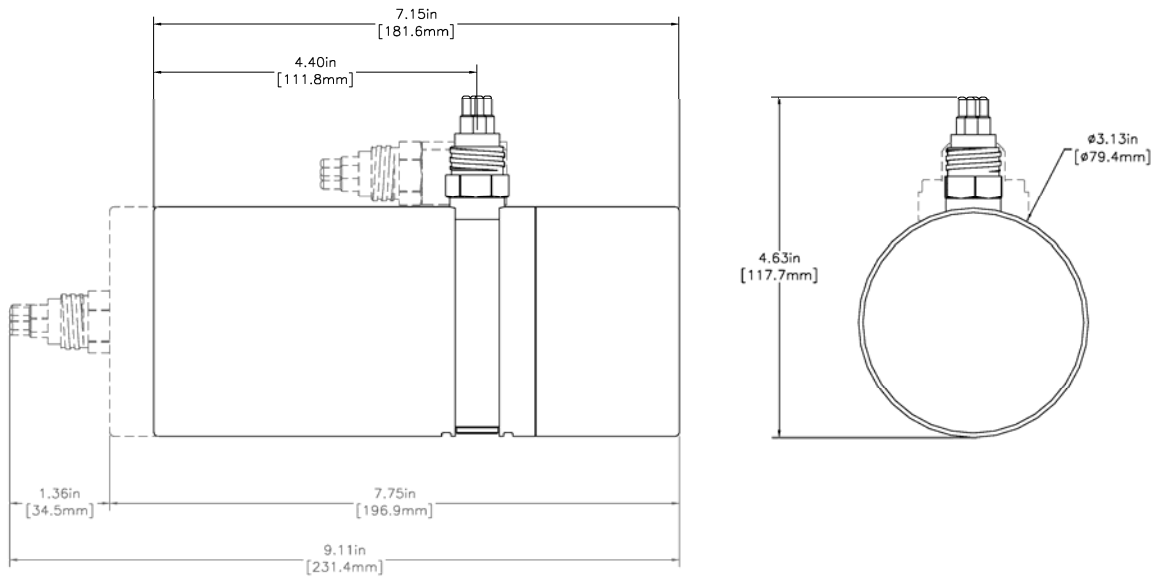
- Programmable
- Multi-frequency
- High performance
- Lower cost
- Low power
- Simple set-up and installation
- Digital telemetry
- Full scale range from 1 m to 200 m
- Compact size
- Communication format available to user

Now with Multi-frequency Sonar, operators can generate highly detailed full-scale images with just one unit. The 881A is a programmable multi-frequency digital imaging sonar that you can operate using default frequency settings or customize the configurations for your own situation. High performance, lower cost, low power and simple set-up and installation, make this sonar perfect for the largest ROV's to the smallest inspection ROV's, plus AUV or UUV applications.



<b>HARDWARE SPECIFICATIONS:</b>	
<b>FREQUENCY</b>	310 kHz, 675 kHz, or 1 MHz (default settings) -Other frequencies can be selected through programmable software configurations (Tunable from 280 kHz to 1.1 MHz in 5 kHz steps)
<b>TRANSDUCER</b>	Imaging type, fluid compensated
<b>TRANSDUCER BEAM WIDTH</b>	310 kHz: 4° x 40° 675 kHz: 1.8° x 20° 1 MHz: 0.9° x 10°
<b>RANGE RESOLUTION</b>	1 m – 4 m: 2 mm (0.08") 5 m & up: 10 mm (0.4")
<b>MIN. DETECTABLE RANGE</b>	150 mm (6")
<b>MAX. OPERATING DEPTH</b>	1000 m and 3000 m available
<b>MAX. CABLE LENGTH</b>	1000 m on typical twisted shielded pair (RS-485)
<b>INTERFACE</b>	RS-485 serial interface @ 115.2 kbps (or optional RS-232)
<b>CONNECTOR</b>	Side mounted, four conductor, wet mateable (Subconn MCBH4M-AS) Optional right angle or end mount connector
<b>POWER SUPPLY</b>	20 – 36 VDC at less than 5 Watts
<b>DIMENSIONS (for both depth ratings)</b>	79.4 mm (3.125") diameter x 182 mm (7.125") length
<b>WEIGHT: In Air</b>	1000 m unit: 1.5 kg (3.3 lbs) 3000 m unit: 2 kg (4.4 lbs)
<b>In Water</b>	1000 m unit: 0.6 kg (1.3 lbs) 3000 m unit: 1.1 kg (2.4 lbs)
<b>MATERIALS</b>	1000 m unit: 6061-T6 Aluminum & Polyurethane 3000 m unit: Titanium, Polyurethane & 300 series stainless steel
<b>FINISH</b>	Hard Anodize

<b>SOFTWARE SPECIFICATIONS:</b>	<b>Win881A.exe</b>
<b>WINDOWS™ OPERATING SYSTEM</b>	Windows™ XP, Vista, 7, 8, 10
<b>MODES</b>	Sector, Polar and Side Scan
<b>RANGE SCALES</b>	1 m, 2 m, 3 m, 4 m, 5 m, 10 m, 20 m, 30 m, 40 m, 50 m, 60 m, 80 m, 100 m, 150 m, 200 m
<b>TRAIN ANGLES</b>	Continuous rotation, 3° increments
<b>SECTOR SIZE: SECTOR MODE POLAR MODE</b>	0° – 180°, 3° increments 0° – 357°, 3° increments, or Continuous rotation
<b>STEP SIZES</b>	Slow (0.3°), Medium (0.6°), Fast (0.9°), Faster (1.2°), Fastest (2.4°)
<b>GRID TYPES</b>	Polar and rectangular
<b>FILE FORMAT</b>	(filename).81a
<b>RECOMMENDED MINIMUM COMPUTER REQUIREMENTS:</b>	100 MHz Pentium 16 MB RAM 1 GB Hard Disk 800 x 600 x 256 colour graphics



<b>ORDERING INFORMATION:</b>		
<b>1000 m UNIT</b>	Standard	881-000-400
<b>3000 m UNIT</b>	Standard	881-000-401
RS-232	Option	-006
End mount connector	Option	-009
Right angle connector	Option	-010
Interface source code in "C" (TEST881A.C)	Option	-018

Product and company names listed are trademarks or trade names of their respective companies.