



Moffat Subsea Stab Connector

High-flow, high pressure hot stab

The moffat subsea stab connector is a compact, light and cost-effective connector that allows a hose to be connected / disconnected subsea. The product has been in service since 1995 and has been refined and developed up until the present day as the demands of the subsea market have increased. It is now recognised by many operators as an industry standard item for subsea pigging, chemical injection, gas injection, flooding and venting operations.

Hose-end connections include: female hammer-lug union (fig. 1502, 602, 206, etc.), flanged (API 6A or ANSI), hub or female threaded (NPT, BSP or Autoclave).

Applications

- Subsea QD operations
- Chemical injection
- Gas injection
- Flooding & venting operations
- Subsea pigging

Features

- Industry standard
- ISO 10423
- Up to 3,500lpm / 924.6gpm
- 414bar / 6,000psi
- 50mm / 2in nominal bore
- 3000m depth rated

In the box

- Moffat subsea stab connector
- Operational hoses
- Operations and maintenance manual

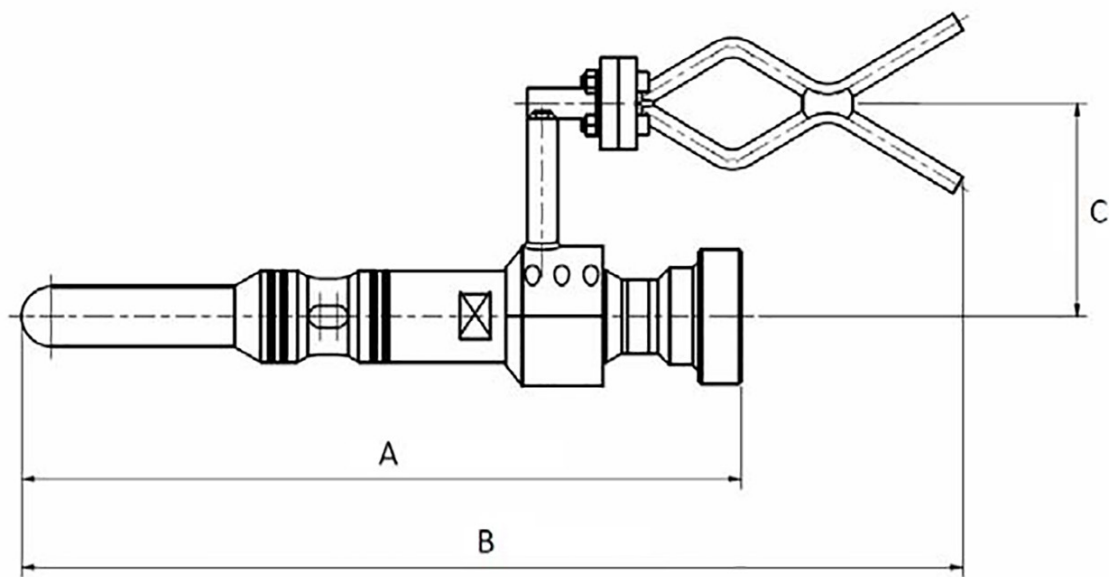


Moffat Subsea Stab Connector

Specifications



Working pressure	414bar / 6000psi
Flow rate	3,500lpm / 924.6gpm
Hydraulic fluid and gases	414bar / 6000psi
Port sizes	All ports 2" NPT
Flow path	50mm / 2in
Materials	316 stainless steel
Weight	14kg / 30.8lbs
Dimensions	A=590, B=775, C=175mm / A=23.2, B=30.5, C=6.8in



Aberdeen
+44 (0)1224 771888

Abu Dhabi
+971 2 650 7710

Houston
+1 281 398 9533

Singapore
+65 6545 9350