

## C-Nav286 Antenna

GNSS Antenna



### FEATURES

Tracks GPS, GLONASS, C-Nav Corrections, and SBAS

Greater than 90dB out-of-band rejection filter

Excellent tracking performance and stable phase center

# C-Nav286 GNSS Antenna

## Specifications

Polarization	Right hand circular (RHC)
Axial rotation	3 dB maximum @ boresight
Radiation coverage	+5.0 dBic      0° = 0°
	-2.0 dBic      0° < $\theta$ < 75°
	-3.0 dBic      75° < $\theta$ < 80°
	-4.0 dBic      80° < $\theta$ < 85°
	-5.0 dBic      Horizon
Passbands	L-Band / GPS L1 / GLONASS:1,525 - 1,611 MHz GPS L2 / L5 GLONASS:1,164-1,254 MHz
Out of band rejection	> 90 dB @ 1,626.5 - 1,660 MHz (INMARSAT up link)
Antenna phase Center	L1 = 3.27 in / 83.15 mm L2 = 3.28 in / 83.35 mm
Low-noise amplifier (LNA)/filter combined gain	39 dB ( $\pm$ 2 dB)
Total noise figure (NF)	2.6 dB (max)
Voltage standing wave ratio (VSWR)	$\leq$ 2:1
Impedance	50 ohms

## Power Requirements

Input voltage	+4.2 V to +15 V DC
Power consumption	66 mA (max)

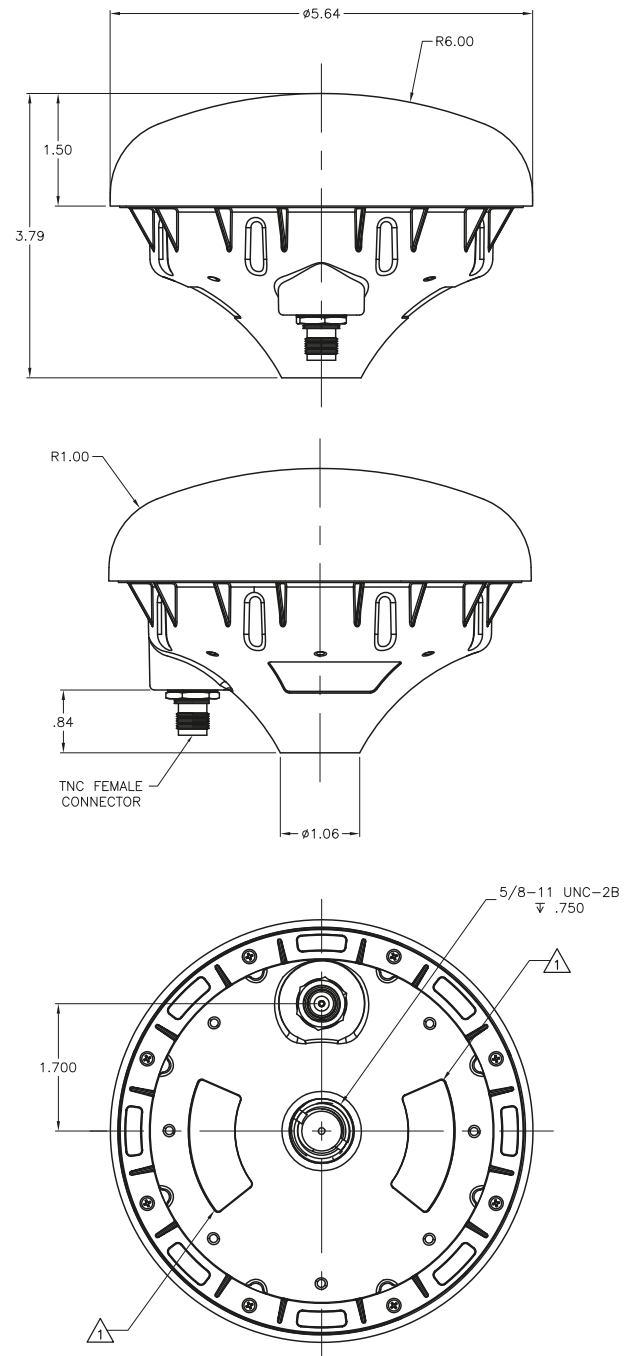
## Environmental

Operating temperature	-67° F to 158° F / -55° C to +70° C
Storage temperature	-40° F to 185° F / -55° C to +85° C
Ingress protection rating	IP 67

## Mechanical

Enclosure construction	Radome - Thermoplastic, base plate - aluminum alloy, corrosion resistant, coated
Cable connector	TNC female
Dimensions	5.64 in x 3.79 in / 143.3 mm x 96.3 mm
Weight	1.2 lb / 0.54 kg
Mounting	5/8 in - 11 UNC-2B thread mount

## Antenna Drawing



■ For more information: [oceanering.com/cnav](http://oceanering.com/cnav)