

Base

Base GNSS Antenna



FEATURES

Tracks GPS/GLONASS/C-Nav Corrections/SBAS

Reduces multipath error for RTK corrections

Excellent tracking performance and stable phase center

Base Antenna

Frequencies

GPS L1	1,575.42 MHz, \pm 16 MHz
GPS L2	1,227.60 MHz, \pm 16 MHz
GPS L2C	1,227.60 MHz, \pm 16 MHz
GPS L5	1,176.45 MHz, \pm 16 MHz
C-Nav L-Band	1,525 - 1,585 MHz
GLONASS G1	1,603.00 MHz, \pm 6.5 MHz
GLONASS G2	1247.00 MHz, \pm 5 MHz

Specifications

Polarization	Right Hand Circular (RHC)
Antenna phase center	GPS L1 = 3.17 in / 80.6 mm GPS L2 = 3.81 in / 96.7 mm
LNA/filter combined gain	39 dB (\pm 2 dB)
Total Noise Figure (NF)	2.6 dB (max)
Voltage standing wave ratio (VSWR)	\leq 2.0:1 (14 dB return loss)
Impedance	50 ohm
Band rejection	20 dB @ 250 MHz

Power Requirements

Input voltage	4.2 V - 15 V DC
Power consumption	50 mA @ 5 V DC
Radio Frequency (RF) power handling	1 W

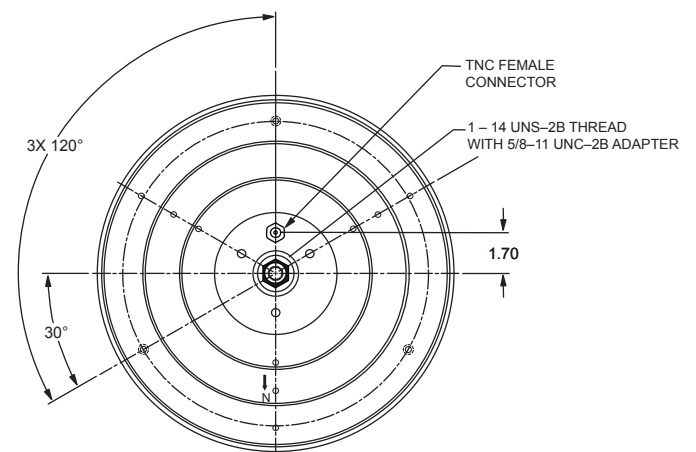
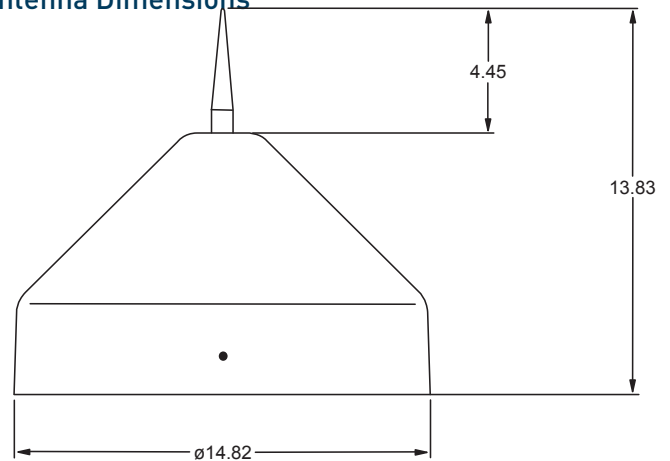
Environmental

Operating temperature	-55° to 85° C / -40° to 185° F
Altitude	70,000 ft / 21,336 m
Vibration	RTCA/DO-160E Section 8, curve D
Immersion	MIL-STD-810F, method 512.4
Ingress protection rating	IP 67

Mechanical

Antenna finish	Fluid resistant ULTEM, UV stable
Cable connector	TNC female
Dimensions	14.82 in x 13.83 in / 376 mm x 351 mm
Weight	10.5 lb / 4.8 kg
Mounting	1-14 UNS-2B thread with 5/8-11 UNC-2B adapter

Antenna Dimensions



■ For more information: oceanering.com/cnav

© 2017 Oceanering International, Inc. All rights reserved.