

C-Nav Combiner

Combining GNSS and L-band signals



FEATURES

Enables use of separate GNSS and L-band antennas

Extends high latitude operation

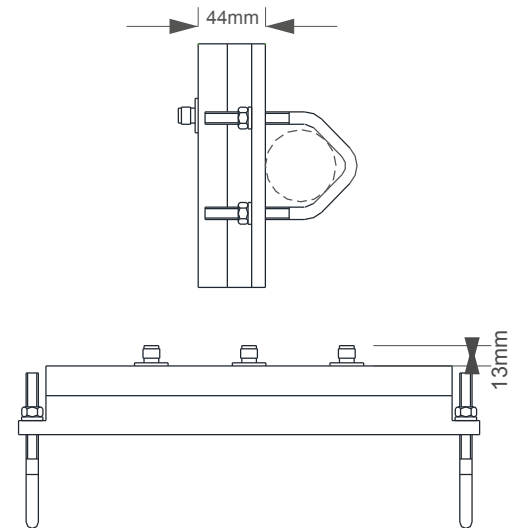
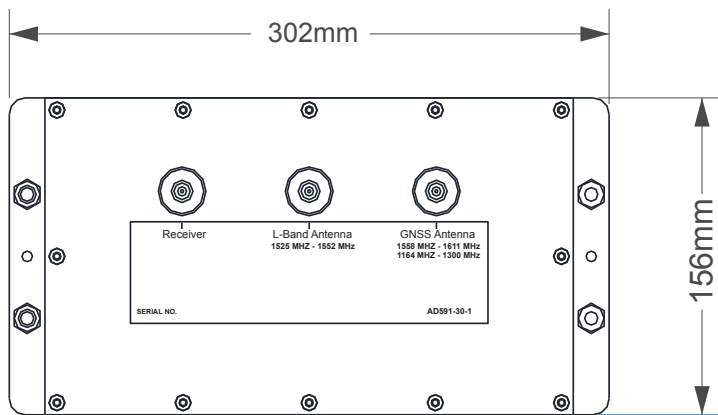
Bridge or mast mounting

C-Nav Combiner

Combining GNSS and L-band signals

Specifications		Environmental	
Type	Passive, interdigital filter diplexer	Operating and storage temperature	-40° F to 185° F / -40° C to 85° C
L-band passbands	1,525-1,552 MHz	Ingress protection rating	IP 68
GNSS passbands	1,558 MHz - 1,611 MHz 1,164 MHz - 1,300 MHz		
Insertion loss	3 dB		
Power Requirements		Mechanical	
Input voltage	Passive	Enclosure construction	Hard anodized, dichromate, and nickel acetate-sealed aluminum with green finish
		Cable connectors	TNC Female
		Dimensions	11.89 in x 6.14 in / 302 mm x 156 mm
		Weight	8.2 lb / 3.72 kg
		Mounting	Aluminum brackets with clamps (included)

Combiner Drawing



■ For more information: oceanearing.com/cnav

© 2017 Oceanearing International, Inc. All rights reserved.