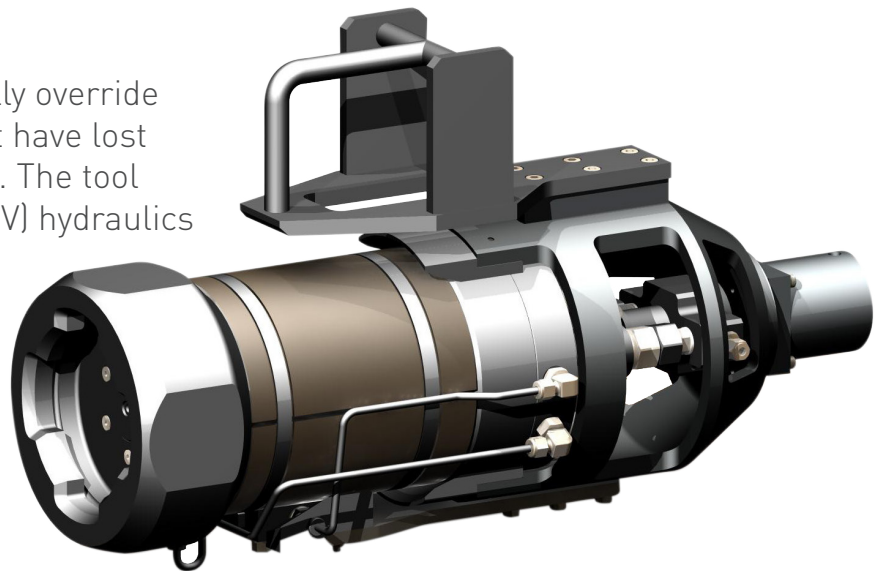


Linear Valve Override Tool (LVOT)

Hydraulic valve intervention

The LVOT is designed to hydraulically override linear actuator operated valves that have lost primary hydraulic control functions. The tool uses remotely operated vehicle (ROV) hydraulics to actuate the gate valve stem on subsea manifolds or X-mas trees and tool can be configured to interface with ISO 13628-8/API 17H Type A, B, and C linear push interfaces.



FEATURES

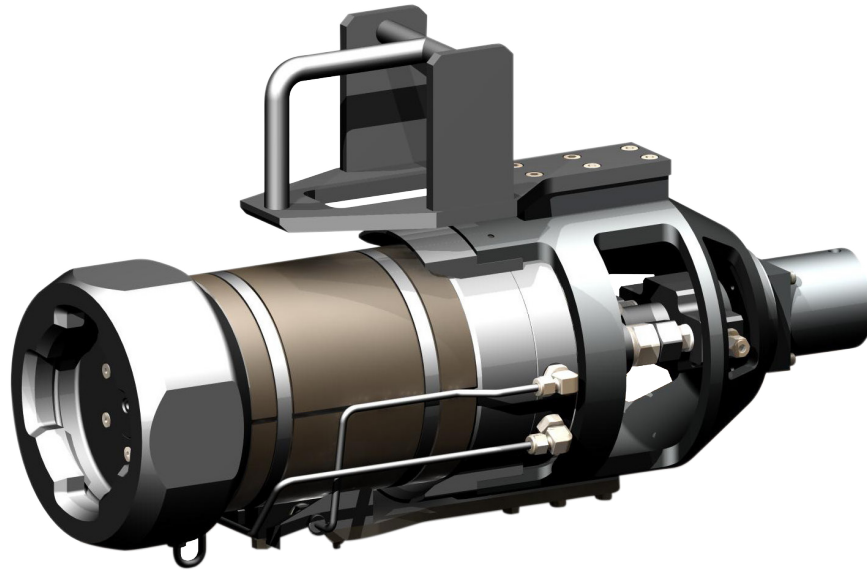
Integrated isolation valve

Stroke indicator

Pressure monitoring gauge

Linear Valve Override Tool

The LVOT can be used in conjunction with an optional Lock Out Tool (LOT) to mechanically override the valve and hold it in an open position for an identified period of time. Using the LOT eliminates the need for hydraulic power, post installation.



Technical data

	Type A and C	Type B
Depth rating	10,000 fsw / 3,000 msw	10,000 fsw / 3,000 msw
Operating pressure	2,500 psi	2,500 psi
Flow	4 gal/min / 15 l/min	4 gal/min / 15 l/min
Weight in air/water	225/198 lb 102/90 kg	252/206 lb 114/93 kg
Dimensions (L x W x H)	26 x 14 x 24 in 66 x 35.6 x 61 cm	31 x 13 x 27 in 78.7 x 33 x 69.6 cm
ROV interface	17H dual port hot stab	17H dual port hot stab
Intensifier max input/output pressure	2,500 psi / 10,000 psi	2,500 psi / 10,000 psi
Piston max operating pressure	10,000 psi	10,000 psi
Piston force	100,000 lbf @ 10,000 psi	250,000 lbf @ 10,000 psi
LVOT body material	USN S17400	Titanium Grade 5
Piston material	Super Duplex	Super Duplex
Piston stroke	Up to 11 in	Up to 13 in

© 2017 Oceaneering International, Inc. All rights reserved.