

Datasheet

Heavy Duty Acoustic Release Frames



Description

The Heavy Duty Acoustic Release Frames have been designed as optional extras for Sonardyne's popular Type 7409 Oceanographic Release Transponders (ORTs) and Type 7710 Deep Oceanographic Release Transponders (DORTs).

The Type 7869 release frame increases the Safe Working Load (SWL) of a standard ORT or DORT to 7½ tonnes (at 4:1 safety factor) with a breaking load of 30 tonnes. The Type 7988 release frame has a SWL of 25 tonnes and breaking load of 100 tonnes. In most cases both types of release frame can be fitted without any modification to the acoustic release itself and is easily assembled in the field.

Manufactured from high strength steel which is galvanised and powder coated, the releases offer excellent corrosion resistance for long term deployment. This can be up to 3 years when the ORT or DORT is fitted with a lithium battery pack. Depth rating is solely dependant upon the acoustic release being used; 2,000 metres for an ORT or 6,000 metres for a DORT.

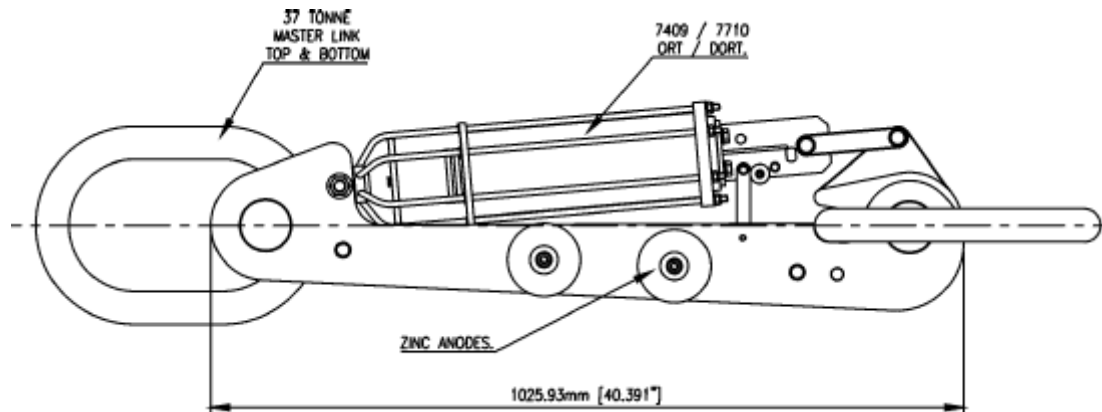
Applications for which the acoustic releases have been developed include; marine salvage, defence and oceanographic research.

Key Features

- Safe Working Load of 7.5 or 25 tonnes
- Up to 100 tonnes Breaking Load
- Compatibly with Sonardyne ORT and DORT acoustic release transponders
- Compact size; just over 1 metre long
- Galvanically isolated from acoustic release to maximise corrosion resistance
- Industry standard lifting rings

Specifications

Heavy Duty Acoustic Release Frames



Feature	Type 7869	Type 7988
Depth Rating (Dependant on ORT or DORT)	2,000 Metres or 6,000 Metres	2,000 Metres or 6,000 Metres
Safe Working Load (at 4:1 Ratio)	7.5 Tonnes	25 Tonnes
Maximum Safe Release Load	11 Tonnes	11 Tonnes
Breaking Load	30 Tonnes	100 Tonnes
Proof Load (Note: A Proof Test Certificate is available upon request)	15 Tonnes	50 Tonnes
Mechanical Construction	Galvanised Steel, Painted	Galvanised Steel, Painted
Dimensions (With DORT, including lifting rings) (LxWxD)	1190 mm (46.9") x 160 mm (6.3") x 303mm (11.9")	1465 mm (57.7") ³ x 265 mm (10.4") x 306 mm (12.1")
Weight of Frame in Air	38 kg	115 kg
Weight of Frame in Air (with ORT)	60 kg	137 kg

Ordering Information

Type 77869-000-B2	Heavy Duty Acoustic Release Frame (7.5 Tonnes SWL)
Type 7988-000-01	Heavy Duty Acoustic Release Frame (25 Tonnes SWL)
Type 7409-000-01	Oceanographic Release Transponder (Alkaline)
Type 7409-000-02	Oceanographic Release Transponder (Lithium)
Type 7710-000-01	Deep Oceanographic Release Transponder (Alkaline)
Type 7710-000-02	Deep Oceanographic Release Transponder (Lithium)