



## Stanley TP03 Trash Pump

Ideal for dredging and light cleaning tasks

The Stanley TP03 submersible trash pump boasts 450gpm of output flow, this pump is an efficient way to move large volumes of liquid with concentrations of solids up to 25% by volume. The TP03 handles solids up to 3 inches in size and is used for dredging and light cleaning tasks. The urethane bowl and impeller is abrasion resistant, resilient and impervious to petrochemical solvents. No priming necessary, just drop it into the material and it's ready for work.

The Stanley TP03 submersible trash pump's efficient design places the urethane impeller above material flow, reducing blockage, jamming and overall pump wear while keeping liquids moving fast enough to pump high volumes of solids at a much higher head than non-submersible pumps.

### Applications

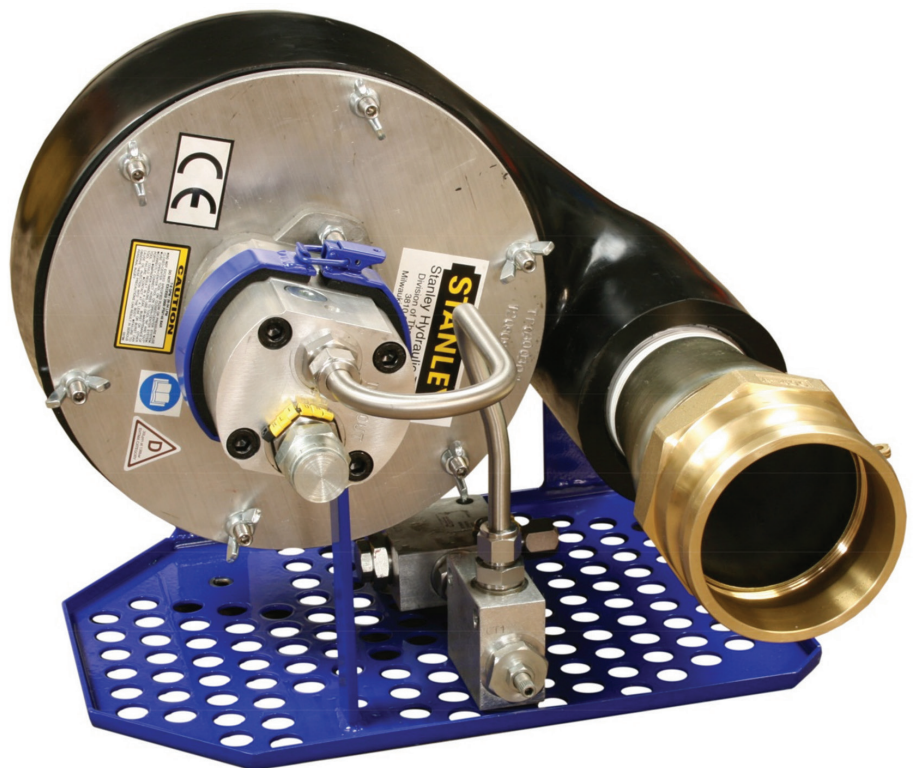
- ROV dredging operations
- Removal of drill cuttings
- Clearing of subsea manifolds
- Removal of soft marine growth
- Marine archaeology
- Treasure hunting and salvage

### Features

- Submersible and self priming
- Dredges solids up to 75mm / 3in in size
- 1688lpm / 445gpm discharge
- Easy bowl inspection and clean out
- Built in reverse flow check
- Can run dry without damage
- 75mm / 3in discharge
- CE Certified

### In the box

- Stanley TP03 trash pump
- ROV dredging nozzle
- Operational hoses
- Operations and maintenance manual

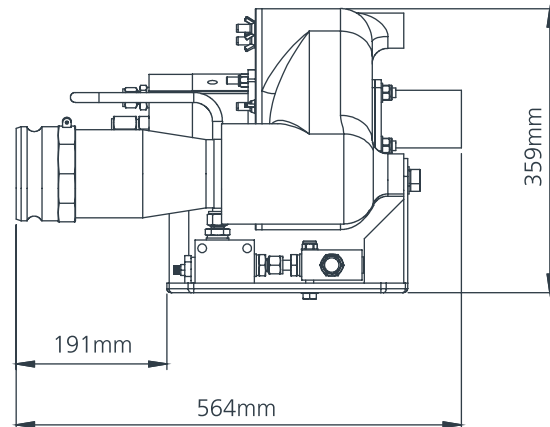
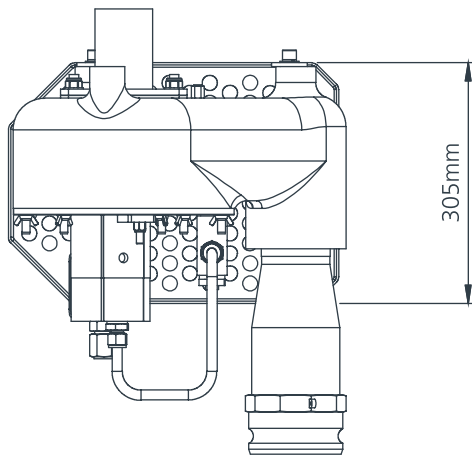


# Stanley TP03 Trash Pump

## Specifications



Capacity	1688lpm / 445gpm
Pressure	105-140bar / 1500-2000psi
Flow range	26-34lpm / 7-9gpm
Porting	1/2in NPTF
Connect size and type	1/2in male pipe
Discharge diameter	75mm / 3in camlock
Inlet diameter	75mm / 3in
System type	OC, HTMA type II
HTMA class II	27-34lpm / 7-9gpm at 138bar / 2000psi
EHTMA category	30lpm / 7.9gpm at 138bar / 2000psi
Weight	14kg / 31lbs
Height (over handle)	420mm / 16.5in
Length	355mm / 14in
Width	410mm / 16in



**Aberdeen**  
+44 (0)1224 771888

**Abu Dhabi**  
+971 2 650 7710

**Houston**  
+1 281 398 9533

**Singapore**  
+65 6545 9350