



Sub-Atlantic Electric Pan & Tilt

Rugged and reliable alternative to hydraulic units

With feedback potentiometers and adjustable limit switches supplied as standard, these rugged units are the perfect choice for the positioning of industry standard subsea cameras and sensors. The gearing system is overrated to resist damage due to collisions.

Pan & Tilts are oil filled and positively compensated, making them suitable for operation at extreme depth and can be supplied with a range of electrical connector types.

Applications

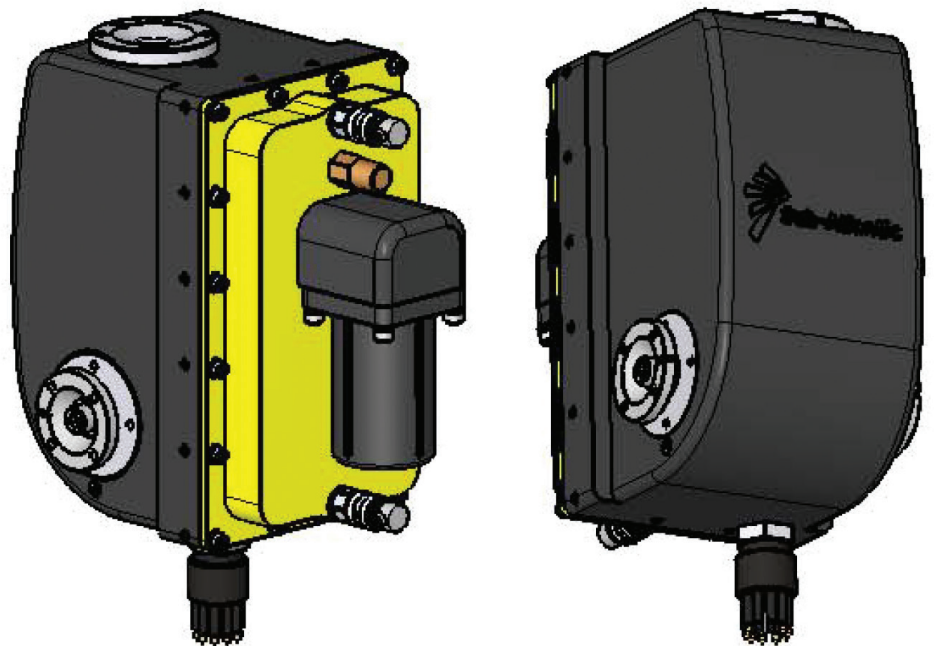
Subsea & ROV
Oceanographic research
Military

Features

110 Volts AC
High torque version
Top tounting flange on pan shaft
Low backlash
Position feedback
Robust design
Adjustable limit switches
Pressure compensated tested to
6000m / 20,000ft
Can be inverted

In the box

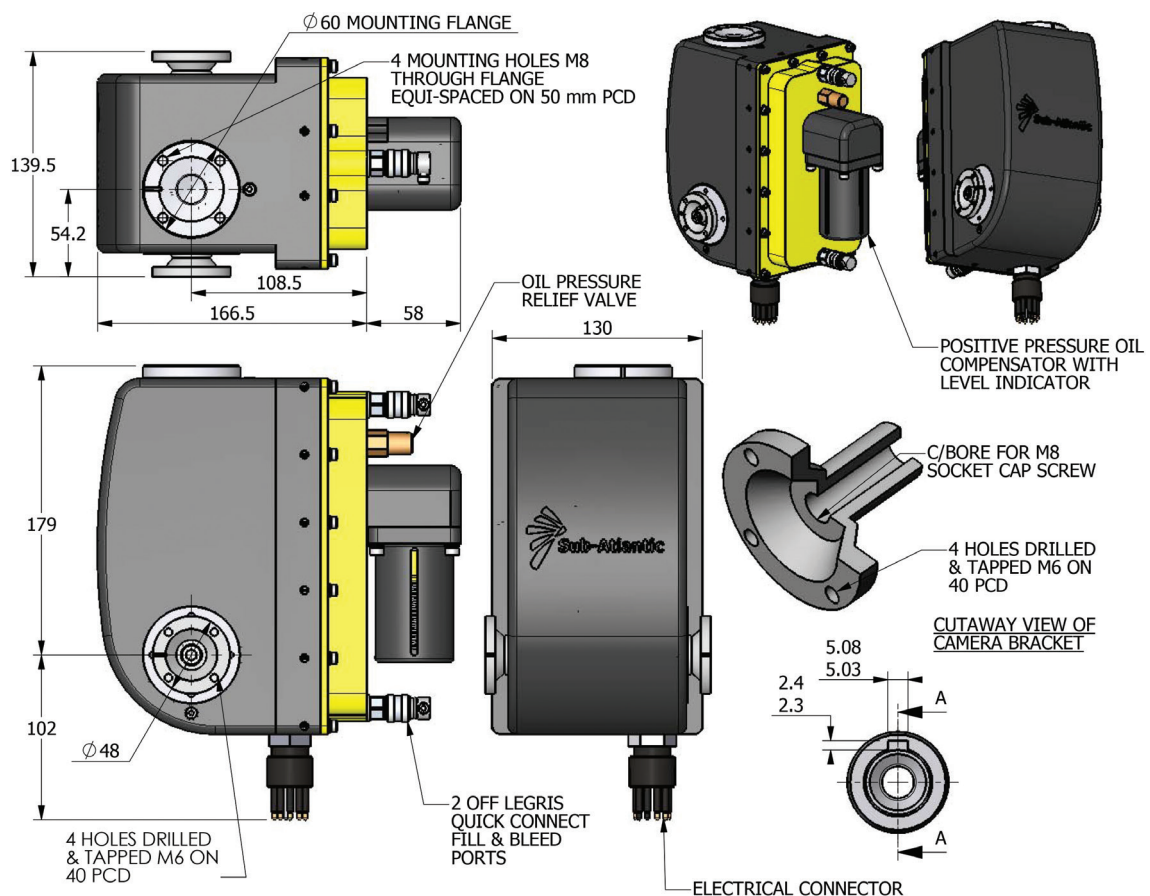
Sub-Atlantic pan & tilt
Operational tail
Operations and maintenance manual



Sub-Atlantic Electric Pan & Tilt Specifications



Depth rating	6000m / 20,000ft
Output torque (standard)	11Nm / 8ft lb
Nominal speed (standard)	4.1rpm
Output torque (high torque)	21Nm / 15.4ft lb
Nominal speed (high torque)	1.4rpm
Gear rating	48Nm / 35.4ft lb
Voltage	110 Vac
Max current	800mA (24V) or 1amp (110V) current limited
Max load	20kg / 44lbs
Weight in air	6.5kg / 14.3lbs
Weight in sea water	4.5kg / 9.9lbs
Connector - 24 Vdc	8 pin wet matable (options)
Connector - 110 Vac	10 pin wet matable (options)



Aberdeen
+44 (0)1224 771888

Abu Dhabi
+971 2 650 7710

Houston
+1 281 398 9533

Singapore
+65 6545 9350