



UCS Circular Chop Saw

Diver or ROV operated circular chop saw

The UCS circular chop saw has been developed to cut tubulars up to 13in diameter. This unit will provide a fast, accurate and clean cut. Its slim design means it can be utilised in areas where space is an issue.

Providing a fast and accurate cut, the diamond wire saw is especially good for cutting pipe in pipe, concrete filled multi-string bundles and coated products in both horizontal and vertical orientation.

Compact design enables easy installation and operation. This system can be supplied set up in a number of configurations to suit client project requirements.

Applications

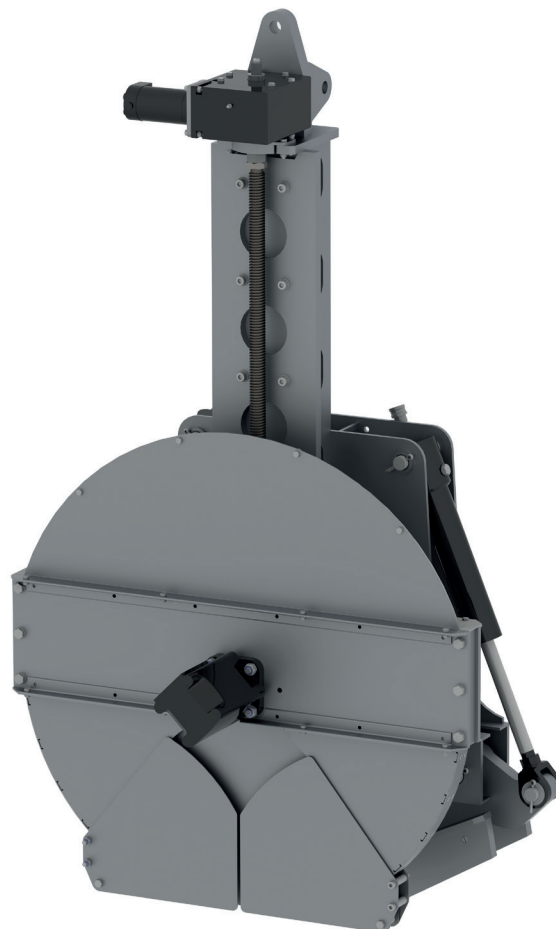
Cutting of horizontal or vertical pipe, casing and structures

Features

- Slim line design
- 4in-13in capacity
- Proven reliability
- Superior performance
- Fast accurate cut
- Diver or ROV Operation
- Heavy-duty tungsten carbide tipped (TCT) chop saw blades
- Solenoid control system for topside control

Bespoke options

UCS have specialist in-house design and fabrication capabilities and are able to modify any tool to suit client / project requirements.



UCS Circular Chop Saw

Specifications



Cutting capacity	330mm / 13in
Hydraulic requirements	40-55lpm @ 210bar / 8.8-12gal @ 3045psi
Hydraulic oil type	ISO VG32 or equivalent
Maximum carriage speed	60mm/min / 2.3in/min
Typical cutting speed	10-40mm/min / 2.3in/min
Mass in air	200kg / 440lbs
Mass in water	150kg / 330lbs
Jaw width open	964mm / 38in
Dimensions	1610mm / 63.4in x 934mm / 36.8in x 590mm / 23.2in

