



## Vortex Anchor Boss Suction Pump

Using the latest technology to reduce vessel time

The suction anchor system is a suction pump system that is designed to be mounted on the side, rear of the ROV or skid mounted.

The tool consists of the proven high flow vortex water pump, high flow suction and pressure relief valves, task specific water flow meter and Perry USD to display real time water flow and water pressure.

The anchor boss system is primarily used for suction pile / anchor installation and removal in addition to riser flushing applications where high water flow is required. The system uses the latest pump and flow technology which enables it to remain subsea for the duration of the pile installation. Other conventional systems require change out for low flow / high pressure pump which as a result increases vessel time.

### Applications

- Suction pile / anchor installation
- Suction pile / anchor removal

### Features

- Efficient pump with superior flow
- Erosion resistant impeller
- Filtered suction into pump
- Data feedback redundancy via Perry USD and topside laptop
- Integrated water flow meter

### In the box

- Vortex anchor boss suction pump
- Topside computer
- Perry subsea display
- Relief valve springs
- Pump spares kit
- Operational hoses
- Operations and maintenance manual

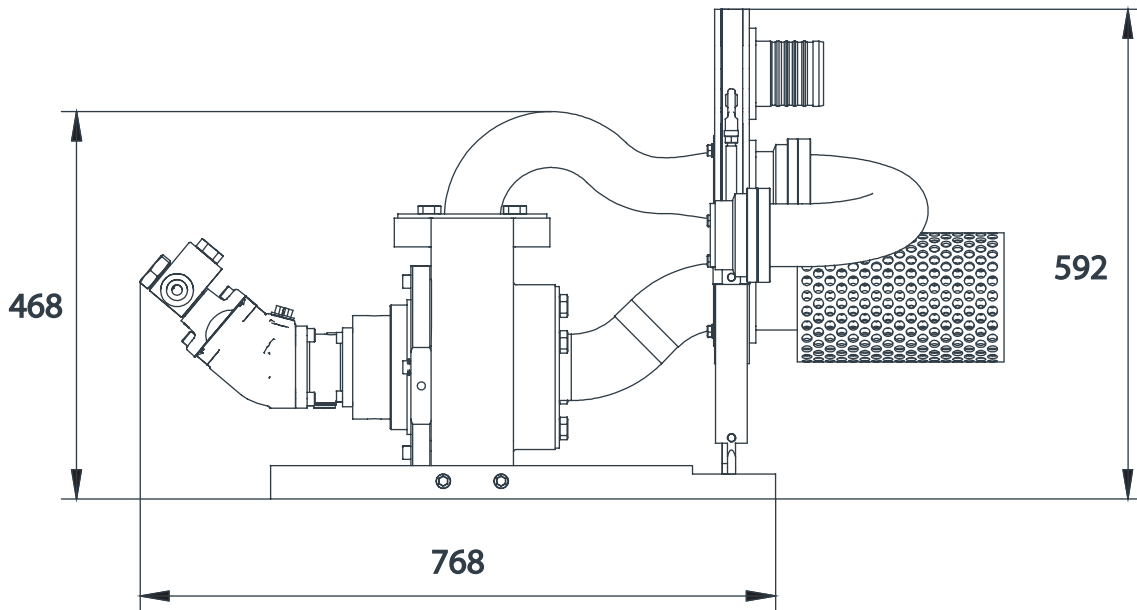


# Vortex Anchor Boss Suction Pump

## Specifications



Minimum hydraulic pressure	60bar / 870psi
Maximum hydraulic pressure (Hyd motor)	350bar / 5076psi
Maximum hydraulic flow	180lpm / 47.5gpm
Relief valve	Adjustable from 0.3-8.0bar / 4.3-116psi
Maximum water flow	215m <sup>3</sup> / hr with 180lpm / 47.5gpm at 248bar / 3596psi
Maximum pressure differential	9.5bar / 139psi
Connections	75mm / 3in ID hose
Weight in air	125kg / 275.5lbs
Materials	Aluminium, stainless steel, thermoset epoxy resin



**Aberdeen**  
+44 (0)1224 771888

**Abu Dhabi**  
+971 2 650 7710

**Houston**  
+1 281 398 9533

**Singapore**  
+65 6545 9350