



## Webtool RCV115 Wire Rope Cutter

### Heavy duty wire rope cutter for subsea deployment

The RCV115 is a heavy duty wire rope cutter designed for subsea deployment in severe working conditions. The integrated hydraulic anvil removes the need for diver intervention and makes the tool easily deployed and operated by ROV.

Corrosion resistant and durable coated steel and stainless steel construction. Genuine Webtool™ blades and anvils give optimum cutting performance and ensure that maintenance is kept to a minimum. Hydraulically operated anvil makes capturing and severing of the wire rope simple.

#### Applications

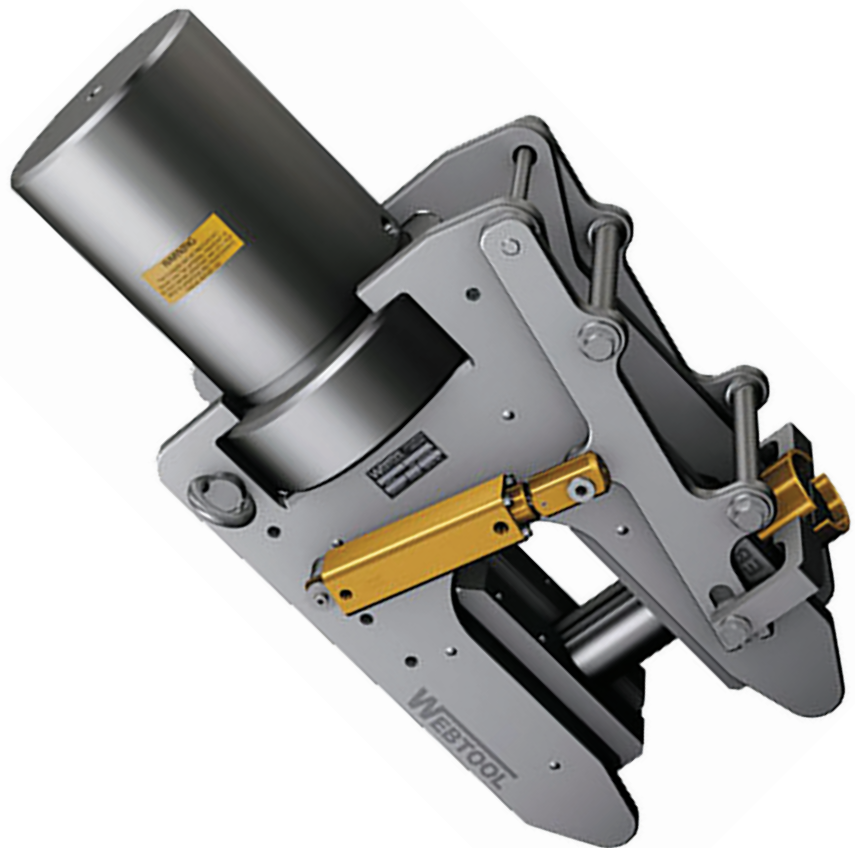
Wire rope cutting  
Cable cutting  
Umbilical cutting

#### Features

Heavy duty wire rope cutter  
Hydraulically operated anvil  
Robust stainless steel construction  
Long blade life  
Optional intensifier panel is available  
Can be used at any water depth  
ROV mounting bracket (optional)  
Deployed by crane or ROV

#### In the box

RCV115 cutter  
Operational hoses  
Operations and maintenance manual

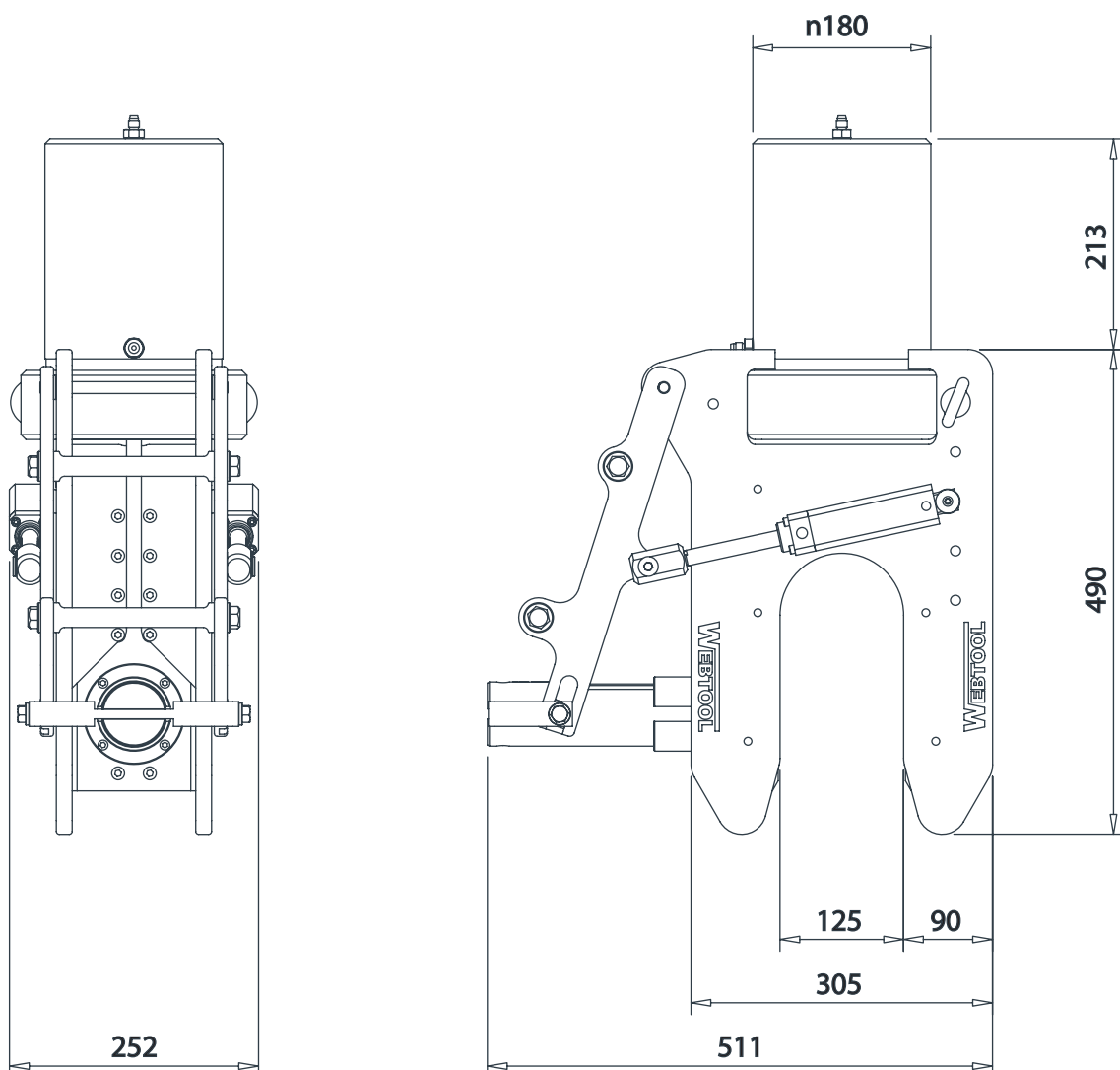


# Webtool RCV115 Wire Rope Cutter

## Specifications



Cutting capacity	Maximum Ø115mm / Ø4.5in wire rope of 1770N/mm <sup>2</sup> grade
Max input pressure (main cylinder)	690bar / 10,000psi
Max input pressure (anvil)	210bar / 3045psi
Weight in air	125kg / 275lbs
Weight in water	100kg / 220lbs
Height	700mm / 27.5in
Width	511mm / 20in



**Aberdeen**  
+44 (0)1224 771888

**Abu Dhabi**  
+971 2 650 7710

**Houston**  
+1 281 398 9533

**Singapore**  
+65 6545 9350