



## Webtool RCV155 Wire Rope Cutter

### Heavy duty wire rope cutter for subsea deployment

The RCV155 is a heavy duty wire rope cutter designed for subsea deployment in severe working conditions. The integrated hydraulic anvil removes the need for diver intervention and makes the tool easily deployed and operated by ROV.

Corrosion resistant and durable coated steel and stainless steel construction. Genuine Webtool™ blades and anvils give optimum cutting performance and ensure that maintenance is kept to a minimum. Hydraulically operated anvil makes capturing and severing of the wire rope simple.

#### Applications

Wire rope cutting  
Cable cutting  
Umbilical cutting

#### Features

Heavy duty wire rope cutter  
Hydraulically operated anvil  
Robust stainless steel construction  
Long blade life  
Optional intensifier panel is available  
Can be used at any water depth

#### In the box

RCV155 cutter  
Operational hoses  
Operations and maintenance manual

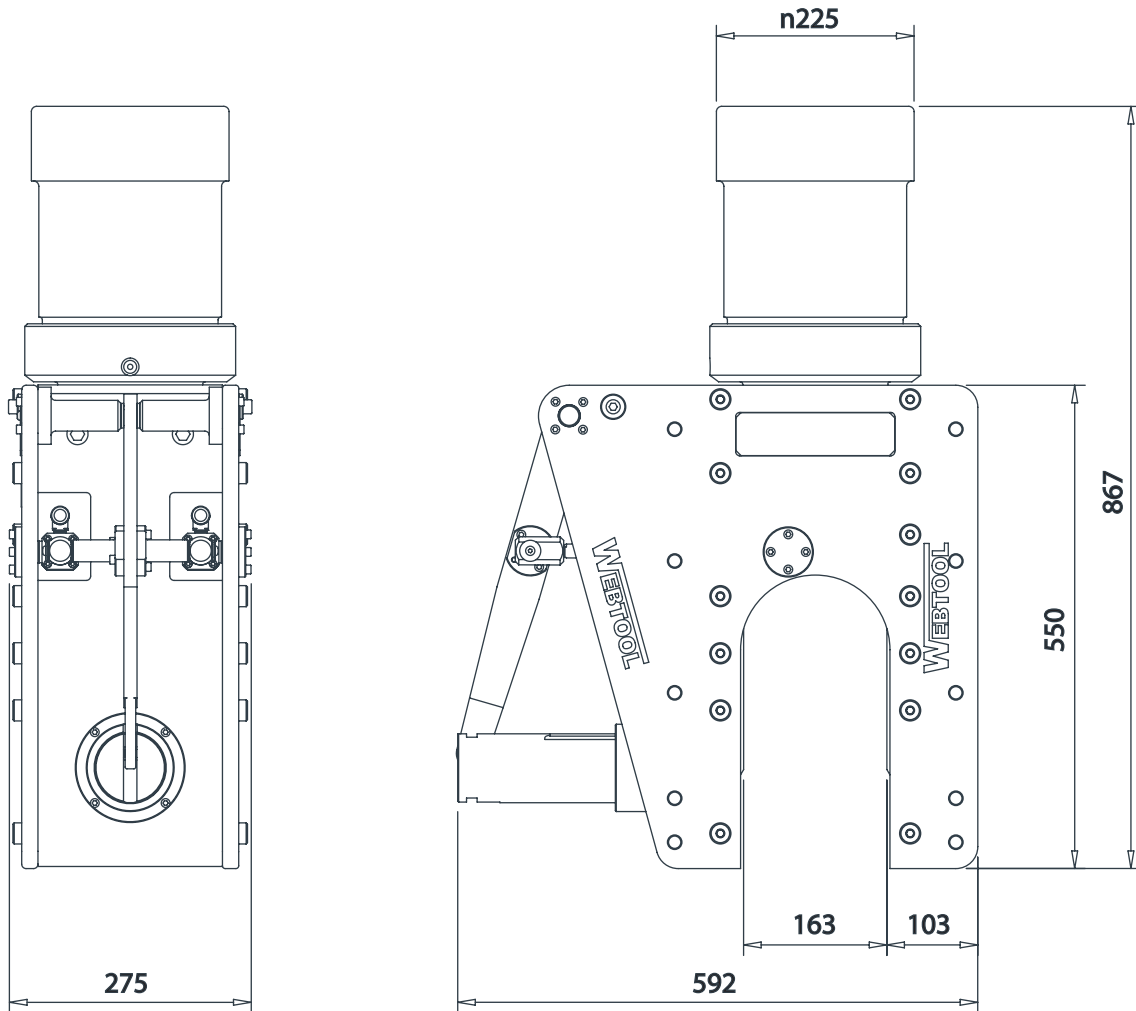


# Webtool RCV155 Wire Rope Cutter

## Specifications



Cutting capacity	Maximum Ø155mm / Ø6.1in wire rope of 1880N/mm <sup>2</sup> grade
Maximum input pressure (main cylinder)	690bar / 10,000psi
Maximum input pressure (anvil)	210bar / 3045psi
Weight in air	241kg / 531lbs
Weight in water	208kg / 458.5lbs
Height	867mm / 34in
Width	592mm / 23in



**Aberdeen**  
+44 (0)1224 771888

**Abu Dhabi**  
+971 2 650 7710

**Houston**  
+1 281 398 9533

**Singapore**  
+65 6545 9350