



## Webtool SL135 Softline Cutter

### Heavy duty softline cutter for subsea deployment

The SL135 softline cutter is a lightweight but heavy duty softline cutter designed for subsea deployment in severe working conditions. The open sided design allows for easy positioning on the line by ROV or diver and simple operation. The SL135 permits fast and efficient cutting of softlines and fibre ropes.

This softline cutter is corrosion resistant and has a durable coated aluminium and stainless steel construction. Genuine Webtool™ blades and anvils give the SL135 softline cutter optimum cutting performance and ensure that maintenance is kept to a minimum. The softline cutter's open sided design and no moving anvil makes deployment simple and reduces the number of hydraulic hoses required.

#### Applications

Softline cutting  
Fibre rope cutting

#### Features

Hydraulically operated  
Aluminium and stainless steel  
Diver or ROV operable design  
Quick and efficient operation  
Long blade life

#### In the box

SL135 cutter  
ROV handle  
Operational hoses  
Operations and maintenance manual

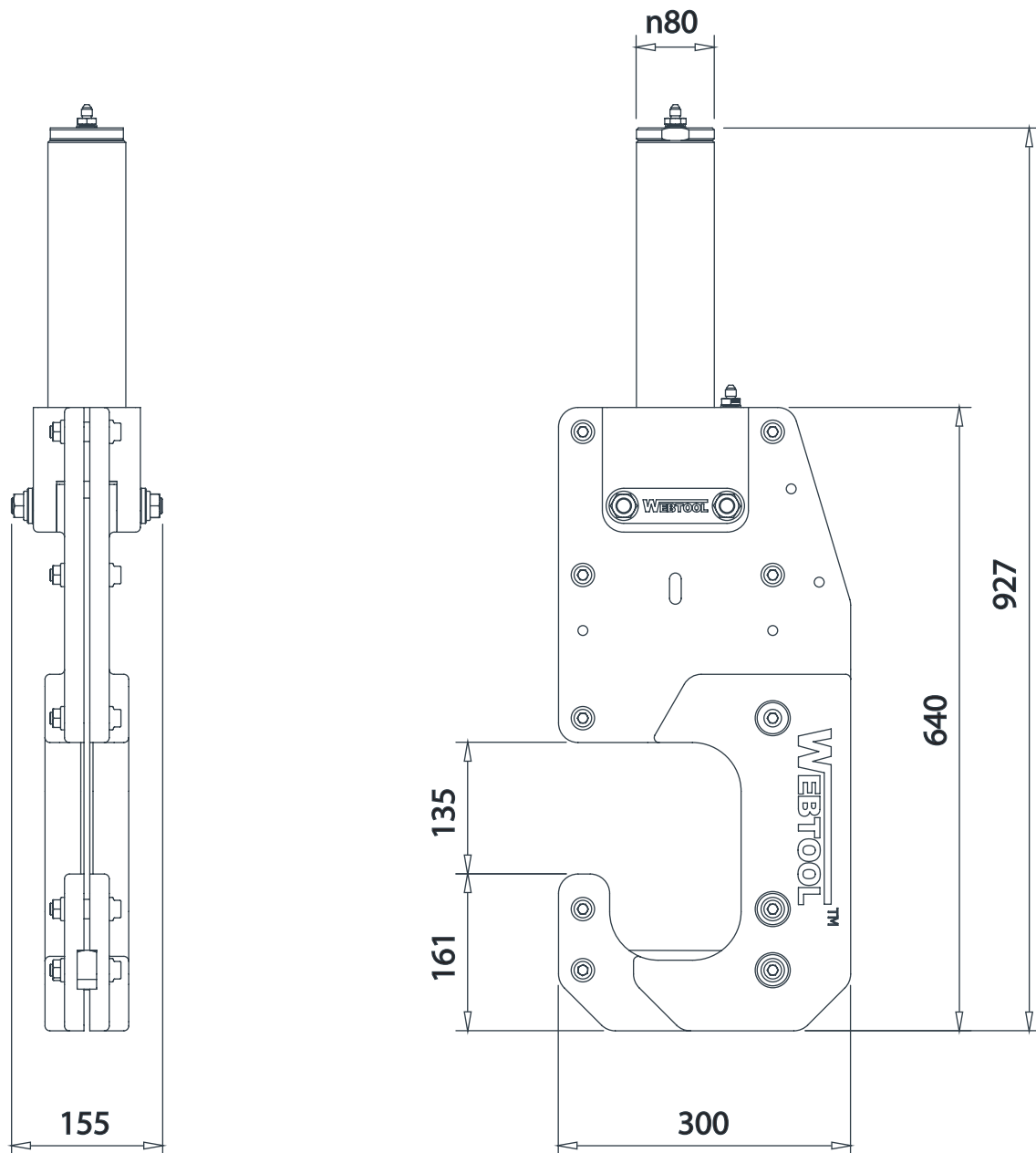


# Webtool SL135 Softline Cutter

## Specifications



Cutting capacity	Maximum Ø135mm / Ø5.3in fibre rope
Maximum operating pressure	690bar / 10,000psi
Weight in air	34.5kg / 76lbs
Weight in water	23.5kg / 52lbs
Height	927mm / 36.5in
Width	300mm / 12in



**Aberdeen**  
+44 (0)1224 771888

**Abu Dhabi**  
+971 2 650 7710

**Houston**  
+1 281 398 9533

**Singapore**  
+65 6545 9350