



Webtool WCS75HDZ Wire Rope Cutter

Heavy duty rope cutter

The Webtool WCS75HDZ is suitable for cutting grades up to 1770N/mm² and up to 75mm in diameter. Utilising a fully retractable anvil the cutter can be placed over continuous lengths of wire ropes for simplified cutting operations. This tool is suitable for local or remote operations in subsea environments (i.e. on an ROV) and due to its high quality construction requires little or no maintenance throughout its operational life.

Replacing the anvil or cutting blade is a simple task and spares kits comprising both components and all seals are available at any time. All spares provided are genuine Webtool components. The tool is supplied with ROV handle and connection hoses.

Applications

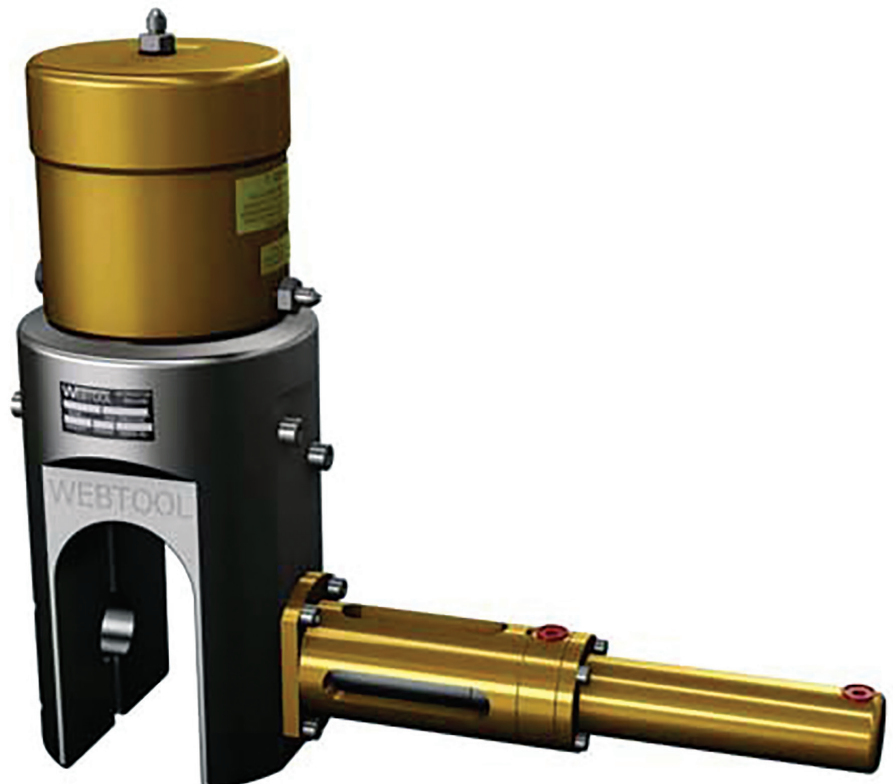
- Wire rope cutting
- Cable cutting
- Umbilical cutting

Features

- Heavy duty wire rope cutter
- Hydraulic anvil
- Corrosion resistant stainless steel
- Long blade life
- Optional intensifier panel available
- Can be used at any water depth

In the box

- WCS75HDZ wire rope cutter
- ROV handle
- Operational hoses
- Operations and maintenance manual

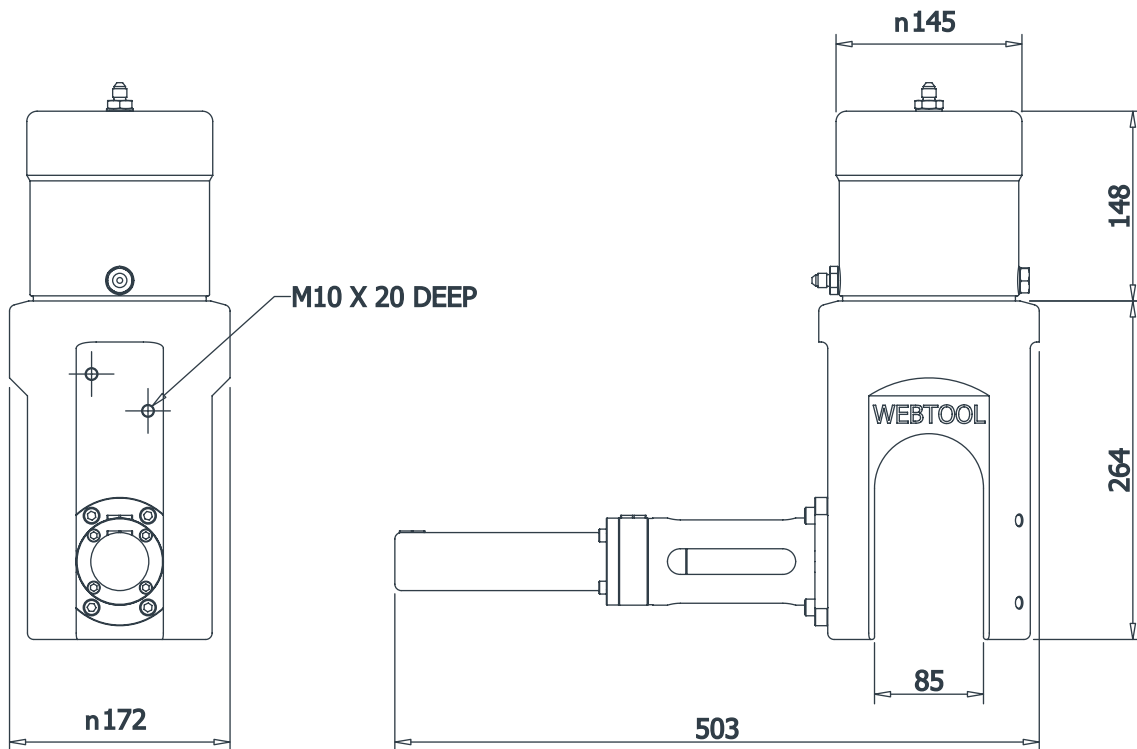


Webtool WCS75HDZ Wire Rope Cutter

Specifications



Cutting capacity	Maximum Ø75mm / Ø3in wire rope of 1770N/mm ² grade (IPS)
Maximum input pressure (main cylinder)	700bar / 10,152psi
Maximum input pressure (anvil cylinder)	210bar / 3045psi
Weight in air	45kg / 99lbs
Weight in water	30.5kg / 67lbs



Aberdeen
+44 (0)1224 771888

Abu Dhabi
+971 2 650 7710

Houston
+1 281 398 9533

Singapore
+65 6545 9350