

2205 Series

SONAR SYSTEMS FOR: HOSTED PLATFORMS USV AUV ROV ROTV

NEW FEATURES

- Smaller
- Lower Power
- Lower Noise
- Tri-frequency configurations
- On-line Self Tests

FEATURES

- Modular components for custom configurations
- Superior sonar technology combinations:
 - Side scan sonar
 - Sub-bottom profiler
 - Bathymetry
- Unique EdgeTech features:
 - Full Spectrum® CHIRP Processing
 - Multi-Pulse technology
 - Dynamically Focused Arrays
 - Dynamic Aperture Sonar Arrays

PLATFORMS

- AUV
- ROV
- ROTV
- USV / ASV
- Other hosted platforms

APPLICATIONS

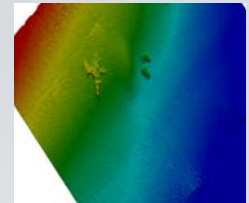
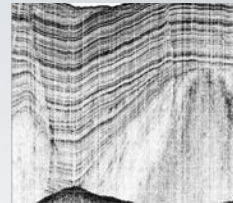
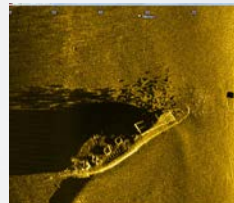
- Archeological Surveys
- Geological/Geophysical Surveys
- Cable and Pipeline Surveys
- Pre/Post Dredging Surveys
- Marine Construction Surveys
- Benthic Habitat Mapping
- Marine Debris Search



OEM Sonar Electronics and Arrays for any vehicle



2205 Sonar System Options / Choices:



Side scan sonar Dual simultaneous frequencies	Sub-bottom Profiler	Bathymetry
75 / 120 kHz	1 - 10 kHz	230 kHz
75 / 410 kHz	2 - 16 kHz	540 kHz
100 / 400 kHz	4 - 24 kHz	
300 / 600 kHz		
230 / 850 kHz <i>AVAILABLE WITH LONG RANGE HIGH DEFINITION (DF) DYNAMICALLY FOCUSED</i>		
600 / 1600 kHz		
230 / 540 / 1600 kHz		

Sensor System Options:

Magnetometer
Pitch/ Roll/ Yaw/ Heave/ Heading
Pressure / Temperature
USBL / Responder
Other customer specified...

Topside & Software Options:

Subsea: <ul style="list-style-type: none"> - Electronics in pressure housing - Electronics chassis for vehicle pressure housing
Topside: <ul style="list-style-type: none"> - Laptop PC with DISCOVER software - Rack-mount PC with DISCOVER - 3rd party equipment and software

For more information please visit EdgeTech.com

2205 Series

SONAR SYSTEMS FOR: HOSTED PLATFORMS USV AUV ROV ROTV

2205

The new EdgeTech 2205 is an extremely flexible and configurable sonar system for unmanned vehicles. It is specially designed for installation and use on Unmanned Underwater Vehicles (UUVs), Remotely Operated Vehicles (ROVs), Unmanned Surface Vehicles (USVs), and other hosted platforms. This modular unit can be configured, based on the customers' application, to collect side scan sonar images, sub-bottom profiles and bathymetric data, singly or in concert with one another. Careful attention has been paid to size, weight and power consumption. The system is provided as a complete package including transducer arrays, sensors and pressure vessel, or alternatively the core electronics and storage device can be integrated into the AUV or ROV pressure housing. The system can operate independent of the hosted platform by simply recording and storing the data, or it can be configured to autonomously interoperate with the vehicle during its mission.

While EdgeTech supplies its own Discover software on a laptop or rack-mount PC, it is also possible to interface other 3rd Party Topsides. Subsea units can be depth rated to 6000 meters or designed for lighter and shallower operations.

The robust and modular 2205 system includes EdgeTech's unique and exciting underwater imaging technologies: Full Spectrum® CHIRP Processing, Multi-Pulse technology, Dynamically Focused Arrays and Dynamic Aperture Sonar Arrays. Our proprietary Full Spectrum® CHIRP Processing enhances long range resolutions through improved signal-to-noise ratios.

Side Scan Sonar Frequencies

Frequency	Range
120 kHz	500m
230 kHz	300m
410 kHz	200m
540 kHz	150m
850 kHz	75m
1600 kHz	35m

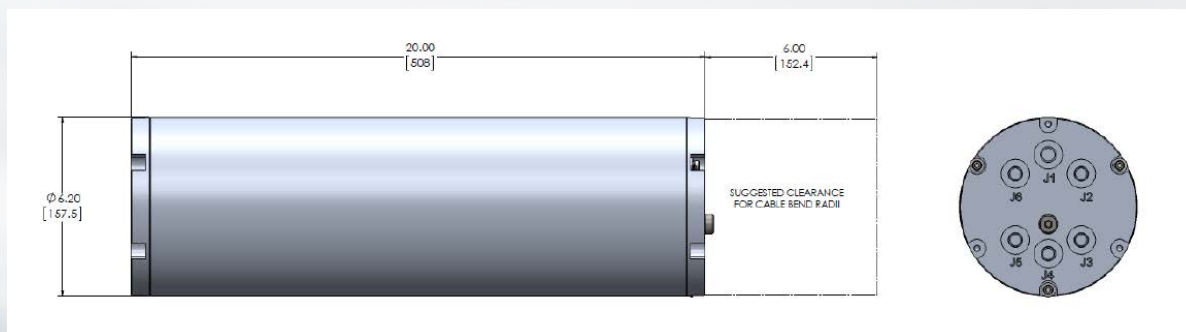
Sub-bottom Profiler Frequencies

	DW-424	DW-216	DW-106
Frequency Range	4 – 24 kHz	2 – 16 kHz	1 – 10 kHz
Vertical Resolution (depends on Pulse selected)	4 – 8 cm	6 – 10 cm	15 – 25 cm
Penetration (typical) In coarse calcareous sand In clay	2 m 40 m	6 m 80 m	15 m 150 m

Power Supplies

- 18v to 36v dc (24v nominal)
- 36v to 60v dc (48v nominal)

Power consumption varies depending on the configuration of side scan sonar, sub-bottom, bathymetry or combined systems. Contact EdgeTech for details.



EdgeTech 2205 systems are available in a variety of configurations including 3,000 (shown above) and 6,000 meter rated pressure housings or electronics-only versions for installation in customers vehicle electronics sections. Call for details.

For more information please visit EdgeTech.com

info@EdgeTech.com | USA 1.508.291.0057