



FMC Schilling Robotics RigMaster

Heavy duty 5-function manipulator arm

For nearly every TITAN 4 manipulator in the market, there is a RigMaster supporting the mission. Its titanium construction makes it a durable and reliable in heavy work class missions.

The RigMaster is a five-function, rate-controlled, heavy-lift grabber arm that can be mounted on a wide range of subsea ROVs. It is engineered for the strength needed to withstand the industry's harsh and repetitive needs day after day. The grabber arm can be used to grasp and lift heavy objects or to anchor the ROV by clamping the gripper around a structural member at the work site.

Applications

Subsea grasp & lifting operations
ROV anchoring

Features

Robust design
Long service life
Large operating envelope
Highest lift-to-weight ratio in its class
Interchangeable jaw configurations
Boom function extends arm length by 305mm / 12in
Standard depth rating of 6,500m / 21,325ft

In the box

FMC Schilling Robotics RigMaster
Operational hoses
Operations and maintenance manual

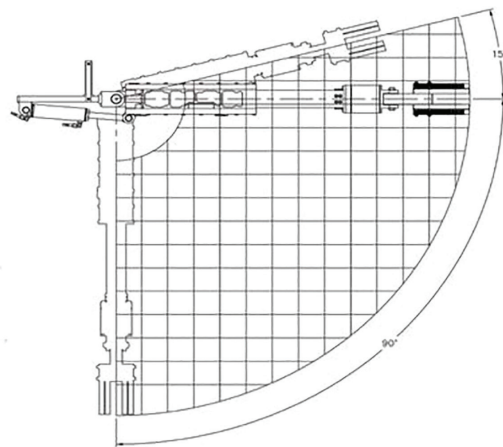
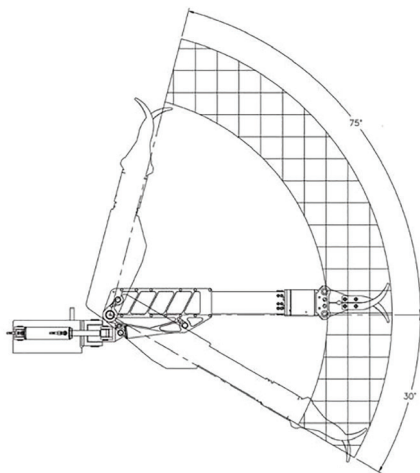


FMC Schilling Robotics RigMaster

Specifications



Reach	1.06-1.37m / 3.47-4.49ft
Type	Rate controlled
Functions	5
Materials	Anodized aluminum, stainless steel, titanium
Standard depth	6,500m / 21,325ft
Weight in air	64kg / 141lbs
Weight in water	48kg / 105.8lbs
Lift at full extension	181kg / 399lbs
Maximum lift, nominal	270kg / 595.2lbs
Standard gripper opening	284mm / 11.1in
Grip force, nominal	4,448N
Wrist torque, nominal	205Nm
Wrist rotate, continuous	6-35rpm
Base yaw	Linear, 105°
Shoulder pitch	Linear, 105°
Boom, extend/retract	Linear, 305mm / 12in
Wrist pitch	Linear, 120°
Wrist rotate	Gerotor, 360°
Gripper, standard	Linear, 284mm / 11.1in
Fluid	Mineral, glycol, or synthetic
Viscosity	10-200cSt
Available flow	5.7-19lpm / 1.5-5gpm
Maximum pressure	207bar / 3000psi
Maximum fluid temperature	54°c / 129°f
Fluid cleanliness	ISO 4406 14/11
Actuator return pressure	24.1bar / 350psi
Filtration	10 microns



Aberdeen
+44 (0)1224 771888

Abu Dhabi
+971 2 650 7710

Houston
+1 281 398 9533

Singapore
+65 6545 9350