



## Wellhead Cleaning Tool

Ideal for AX or VX gaskets

The motorised wellhead cleaning tool is designed to clean the seal surface of wellheads that use AX or VX gaskets. The ROV powers the tool and holds it in position to remove debris. Flow regulator valves limit the rotation speed while still allowing high torque.

### Applications

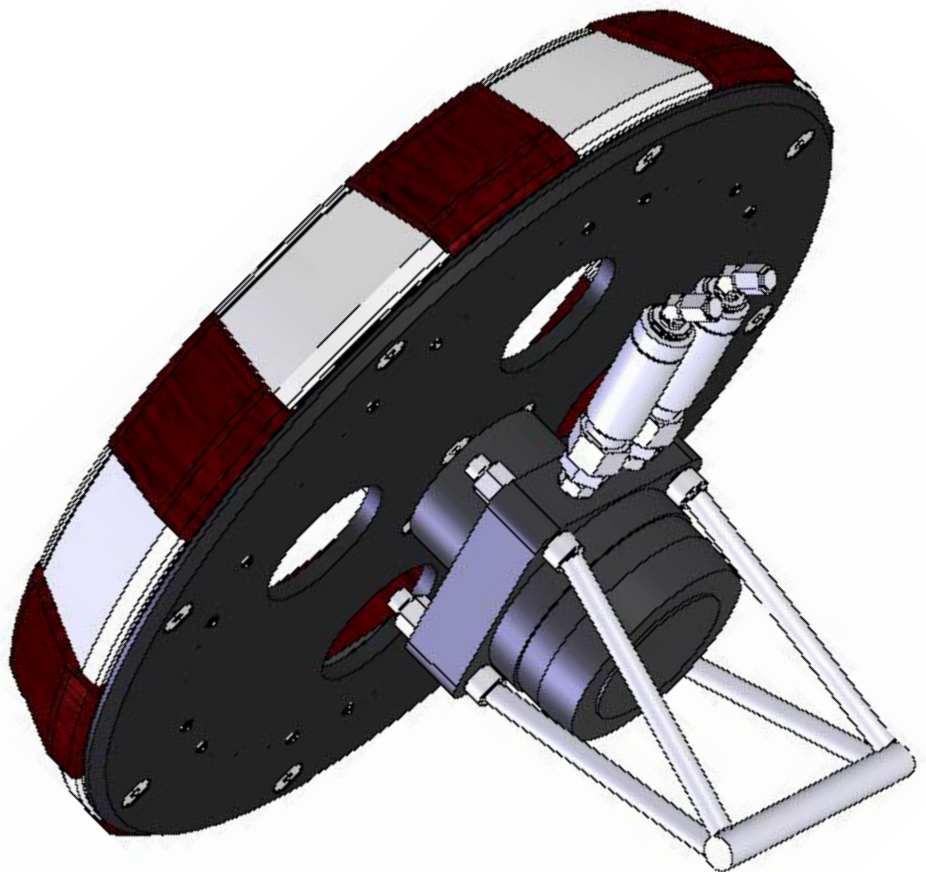
Wellhead cleaning

### Features

- Stainless steel handle
- Simple scrubbing pad replacement
- Light weight aluminium and plastic construction
- Guide nose for ease of use

### Whats in the box

- Wellhead cleaning tool
- ROV handle
- Spare scotch brite cleaning pads
- Operational hoses
- Operations and maintenance manual



# Wellhead Cleaning Tool

## Specifications

Input pressure	138bar to 207bar / 2000psi to 3000psi
Input flow	+5.7lpm / 1.5+gpm
Weight in air	24kgs / 52lbs
Weight in water	16kgs / 35lbs
Cleaning depth	317.5mm / 12.5in
Materials	Aluminum, UHMW/HDPE, stainless steel, plastic, abrasive pads
To suit	18-3/4" AX/VX wellhead interface

