



## Hydro-Lek ROV Function Boom Arm

### 2, 3 and 4 function boom arm

The HLK-4600 camera boom arm has been designed for pipeline inspection work. Using a pair of these arms, pipelines of up to 36" can be easily inspected. Its unique design allows the camera mount to stay at the same angle through the entire 120° of angular movement of the arm. The camera mount can be tilted through a 120°. The arm uses Hydro-Lek's standard HLK-1300 hydraulic cylinders.

#### Applications

Underwater inspection  
Equipment and tool placement  
Target identification & classification  
Monitoring operations

#### Features

Designed for inspection of pipelines up to 1 metre  
Camera position stable throughout entire 120° angular movement of arm  
Camera mount can be tilted through 120° and rotated through 360°  
Uses HLK-2150 pan & tilt

#### In the box

Boom arm  
Operational hoses  
Tilt, pan & tilt (optional depending on set up - 2,3 or 4 function)  
Operations and maintenance manual

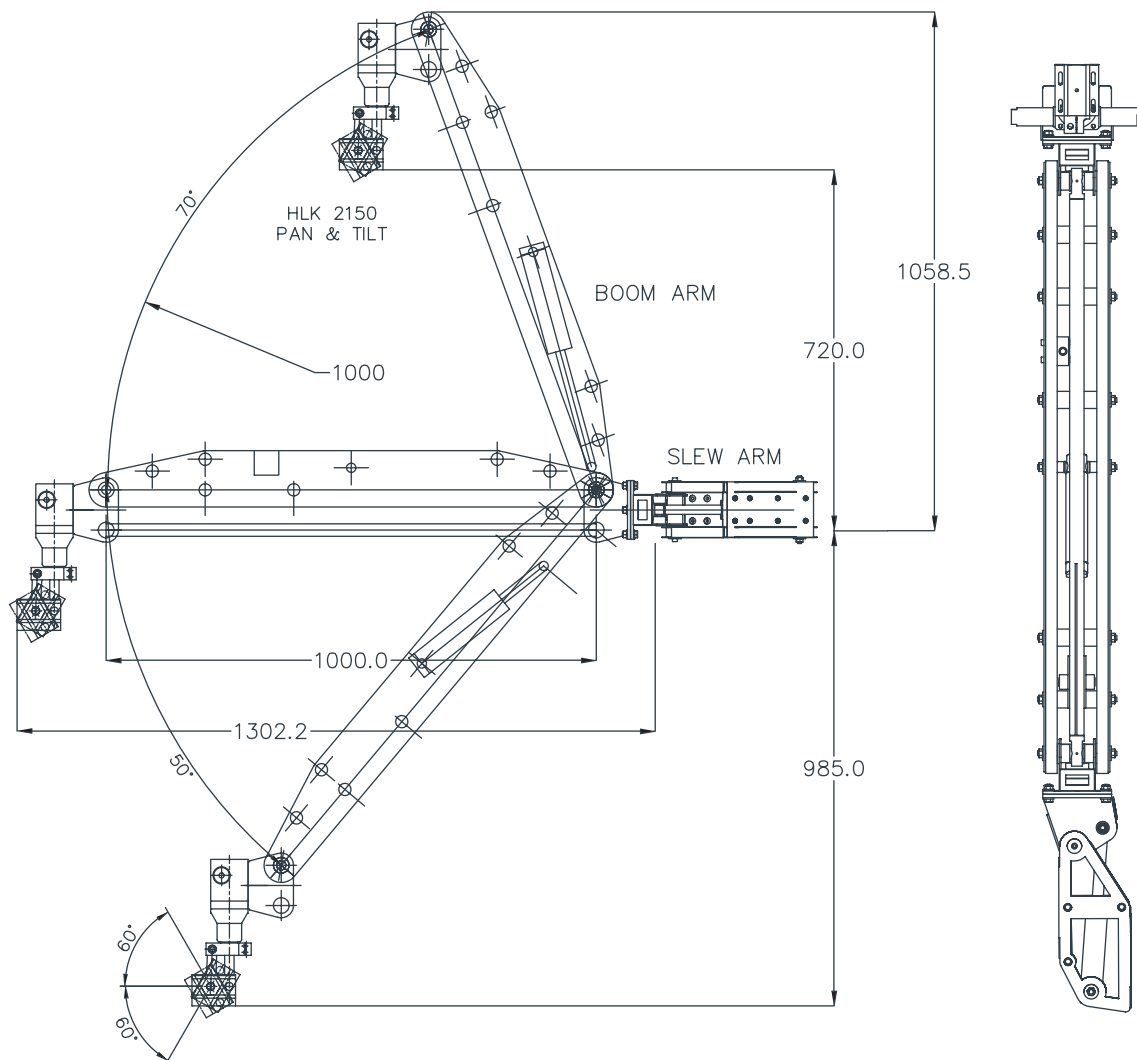


# Hydro-Lek ROV Function Boom Arm

## Specifications



Length of arm	1625mm / 64.3in
Height	310mm / 12.2in
Width	120mm / 4.7in
Up / down	70-0-50°
Left / right	90-0-30°
Camera tilt / roll	60-0-60°
Weight in air	16kg / 35lbs
Weight in water	11kg / 24lbs
Materials	316 stainless steel HE 30 hard anodised aluminium Polyethylene
Ports	1/8" NPT – 7/16" SAE



**Aberdeen**  
+44 (0)1224 771888

**Abu Dhabi**  
+971 2 650 7710

**Houston**  
+1 281 398 9533

**Singapore**  
+65 6545 9350