



Webtool RCV135 Wire Rope Cutter

Heavy duty wire rope cutter for subsea deployment

The RCV135 is a heavy duty wire rope cutter designed for subsea deployment in severe working conditions. The integrated hydraulic anvil removes the need for diver intervention and makes the tool easily deployed and operated by ROV.

Corrosion resistant and durable coated steel and stainless steel construction. Genuine Webtool™ blades and anvils give optimum cutting performance and ensure that maintenance is kept to a minimum. Hydraulically operated anvil makes capturing and severing of the wire rope simple.

Applications

Wire rope cutting
Cable cutting
Umbilical cutting

Features

Heavy duty wire rope cutter
Hydraulically operated anvil
Robust stainless steel construction
Long blade life
Optional intensifier panel is available
Can be used at any water depth
ROV mounting bracket (optional)
Deployed by crane or ROV

In the box

RCV135 cutter
Operational hoses
Operations and maintenance manual

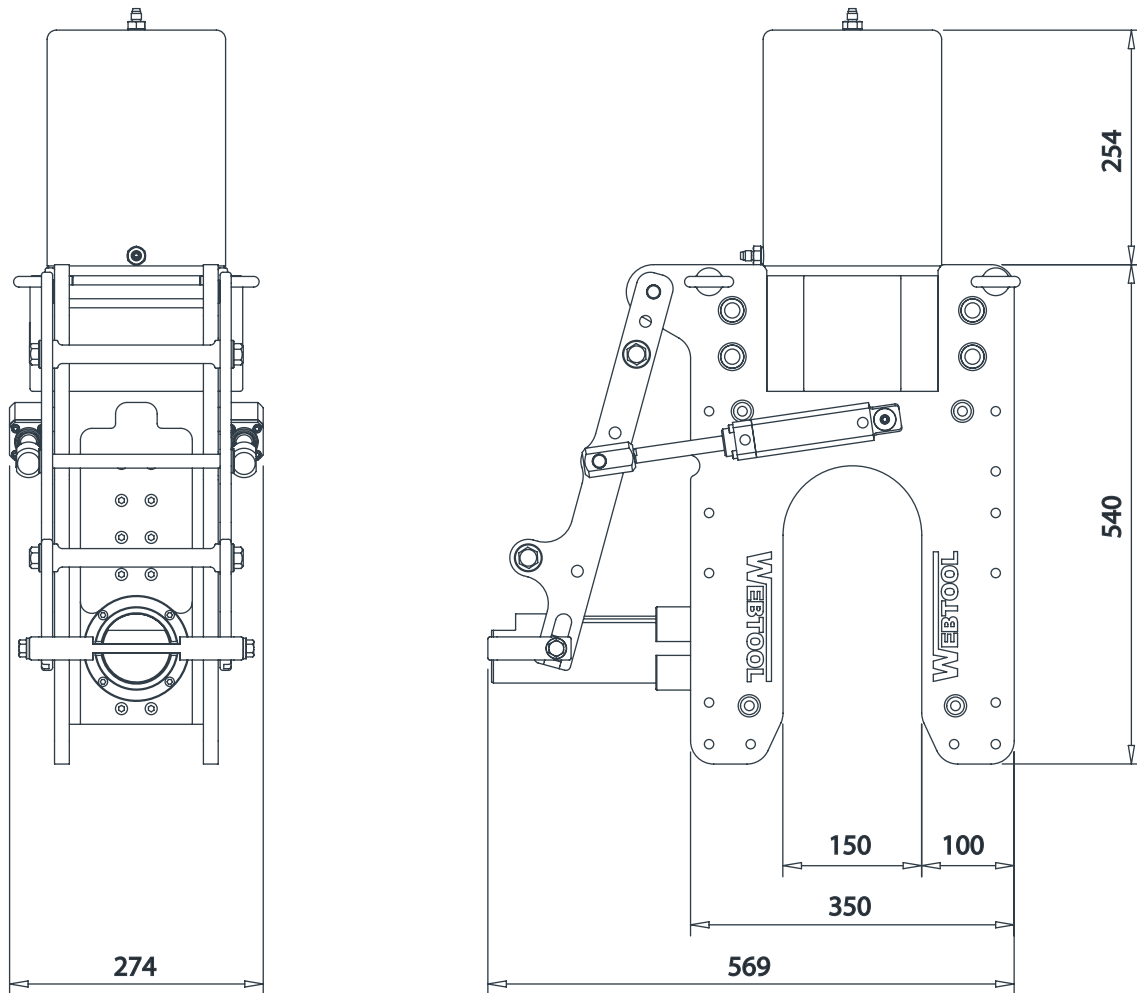


Webtool RCV135 Wire Rope Cutter

Specifications



Cutting capacity	Maximum Ø135mm / Ø5.3in wire rope of 1770N/mm ² grade
Maximum input pressure (main cylinder)	690bar / 10,000psi
Maximum input pressure (anvil)	210bar / 3045psi
Weight in air	176kg / 388lbs
Weight in water	152kg / 335lbs
Height	794mm / 31.25in
Width	569mm / 22.4in



Aberdeen
+44 (0)1224 771888

Abu Dhabi
+971 2 650 7710

Houston
+1 281 398 9533

Singapore
+65 6545 9350